

# Essentials™ Gas Sampler Composite Gas Sampler



The Essentials™ Gas Sampler is the most cost-effective, compact, and accurate gas sampling solution on the market. It features Welker's Fresh Sample System™, in compliance with API 14.1, which incorporates a flow through sample path that automatically purges any previous gas product from the sample chamber, and uses that gas to actuate the pneumatic sample pump. During the process, a Fresh Sample is drawn into the sample pump chamber, captured, and distributed into the sample cylinder. Its high durability and low maintenance requirements make the Essentials™ Gas Sampler ideal for remote field locations.

## Features

- Fresh Sample System™
- IR-7 solid stainless steel regulator
- Modular components
- Cylinder purge system
- Optional timer controller
- Manual test button

## Benefits

- Improved regulator durability and easy to maintain
- Only one active o-ring for easy maintenance
- Flow through sample chamber design\*
- Self purging during sample actuation\*
- Ability to set sample proportional to flow or time sample
- Test sampler using the manual test button without having to integrate electronic flow measurement



\*Complies with API 14.1

## SPECIFICATIONS

ESSENTIALS™ GAS SAMPLER COMPOSITE GAS SAMPLER

### Essentials™ Gas Sampler

Materials of Construction	316/316L Stainless Steel, Fiberglass, Polycarbonate
Pipeline Connection	¾" MNPT
Sample Outlet Connection	¼" FNPT
Operating Pressure	1440 psig MAOP @ -20 °F to 200 °F
Insertion Length	8"
Sample Grab Rate	.25 cc

# STANDARD OPTIONS

ESSENTIALS™ GAS SAMPLER

**MPS2**

SOLENOID VOLTAGE	OUTLET OPTIONS	TIMING SYSTEM	CYLINDER HOLDER	MOUNTING REQUIREMENTS	PROBE LENGTH
G, C, or D	<b>A</b> Outlet Manifold & Purge Bypass	<b>0</b> or C	Without	3/4" MNPT Probe Mount with Enclosure	<b>0 8 0</b> 8"

## SOLENOID VOLTAGE

- G:** DC 6 V
- C:** DC 12 V
- D:** DC 24 V

## TIMING SYSTEM

*Determined by Solenoid Voltage*

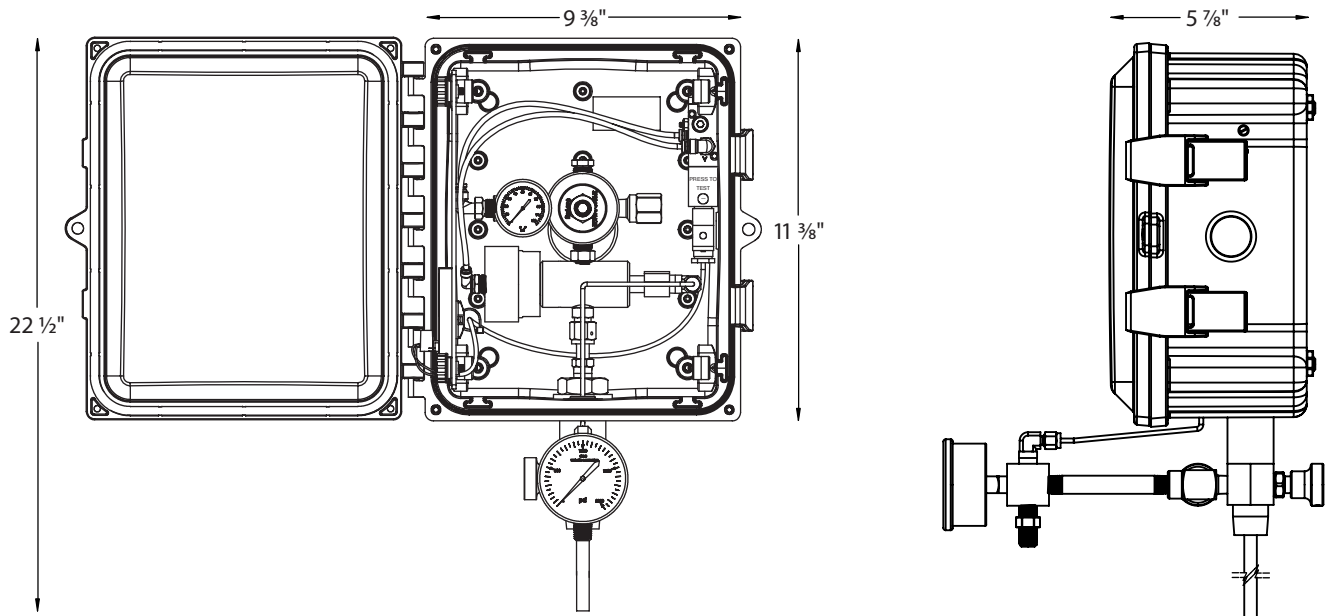
- 0:** No Timer (Solenoid Voltage C or D)
- C:** 6Tc (Solenoid Voltage G)

For custom options, choose **Plus Welker™**.



Customer Inspired. Welker Manufactured.  
Collaborate with us to create a custom product unique to your application.

## DIMENSIONS



Weight and/or dimensions are approximate.  
Specifications subject to change without notice.



13839 WEST BELLFORT STREET SUGAR LAND, TEXAS 77498 | 281.491.2331 | sales@welker.com | [WELKER.COM](http://WELKER.COM)  
©2018 Welker, Inc., All Rights Reserved. Welker®, W Welker®, W Logo, WelkerScope®, Welker Jet®, and OdorEyes® are registered trademarks owned by Welker, Inc.