

### CONSTRUCTION

Standard Type 316 stainless steel is available in 3/4" through 8" pipe sizes and may be mounted in a tank from the top, bottom or with a sideport connection. They are available with threaded pipe configurations for the steam from one inch through three inch pipe sizes. 150 lb RFSO flanged connections are available on all sizes.

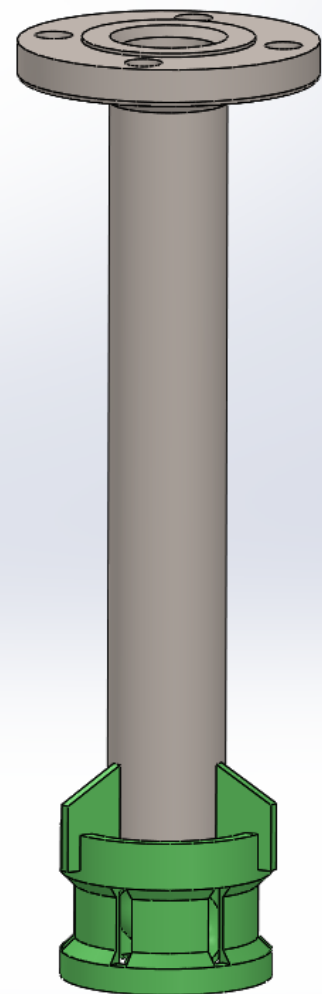
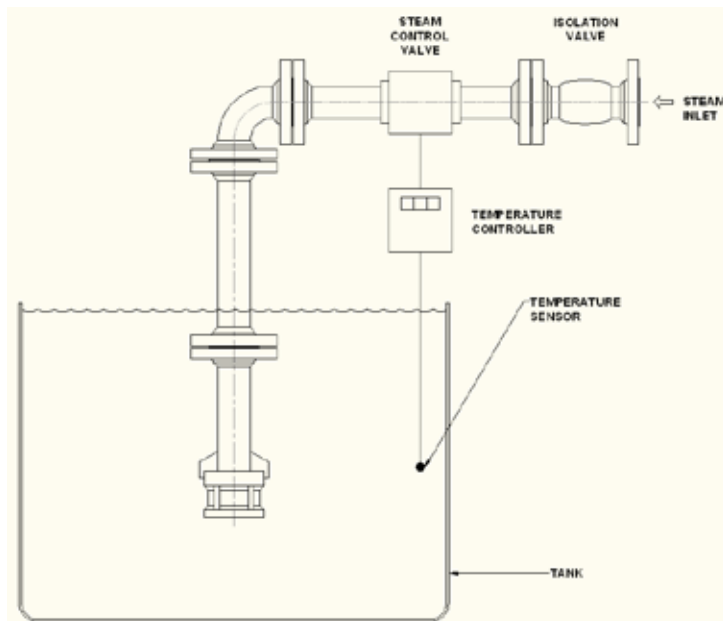
### THEORY OF OPERATION

Each unit uses one MXR mixing module in tandem. The product in the tank enters the mixing module around the periphery of the steam inlet pipe and is captured by the steam momentum. Product and steam are divided and pre-mixed by the mixing element in each of the 6 mixing cavities. A set of multiple impingement mixing zones is developed on the side slots and at the module exit which completes the contacting of steam and product shock-free or vibration-free.

This versatile series of heaters is designed for the direct injection of steam into tanks for heating water compatible products in a quiet, vibration free, and 100% efficient fashion. In addition they develop a strong stirring action to help keep any solids or particulates in suspension. This stirring action also helps to produce a uniform temperature throughout the tank volume allowing accurate temperature control.

### Typical Installation

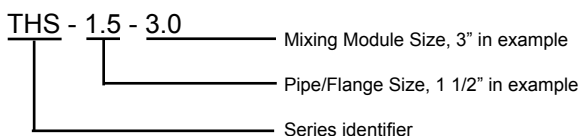
Units can be mounted top mount (as shown), side mount or can be mounted on the bottom of the tank.



The MXR "THS" Tank Heater

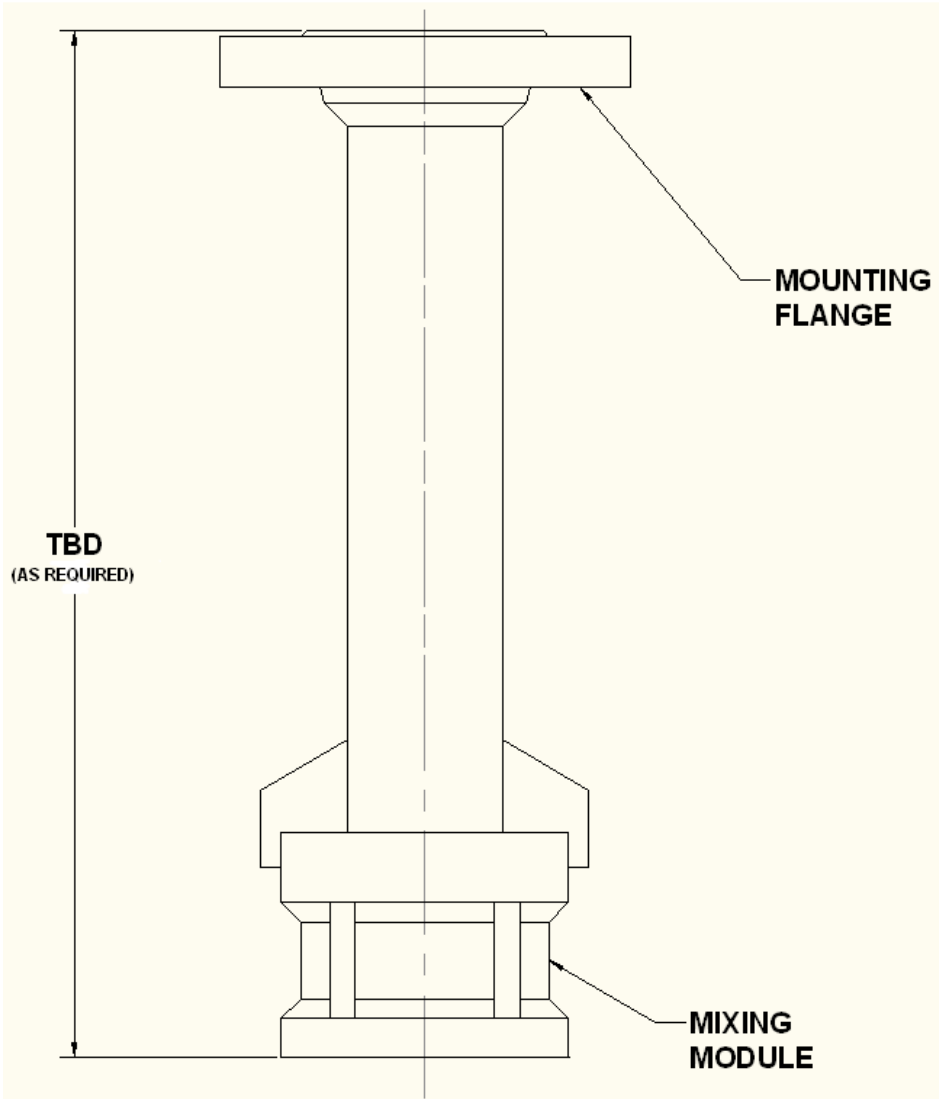
### Numbering System

Standard units in type 316 stainless steel are numbered as follows.



Special part numbers for non standard units are issued by the company.

## “THS” Series Tank Heaters



SIZE	MODEL NO.
1"	THS - 1 - 2
1 1/2"	THS - 1.5 - 3
2"	THS - 2 - 4
2 1/2"	THS - 2.5 - 4
3"	THS - 3 - 6
4"	THS - 4 - 6
6"	THS - 6 - 10
8"	THS - 8 - 12
<b>ALL DIMENSIONS ARE IN INCHES</b>	

contact:

**MXR Technologies, LLC**

40515 Green Oaks Dr. Temecula, CA 92592 USA

www.mxrtech.com

E-mail: info@mxrtech.com

Ph.: 1-951-303-4600 or 949-412-6525