

- **SIMPLE INSTALLATION**
- **RUGGED DESIGN**
- **MAINTENANCE FREE**

## MXR “THS” Series for Direction Steam Injection Into Tank

The design flexibility of MXR’s Tank Heating Technologies will provide superior heating performance in any tank heating application.

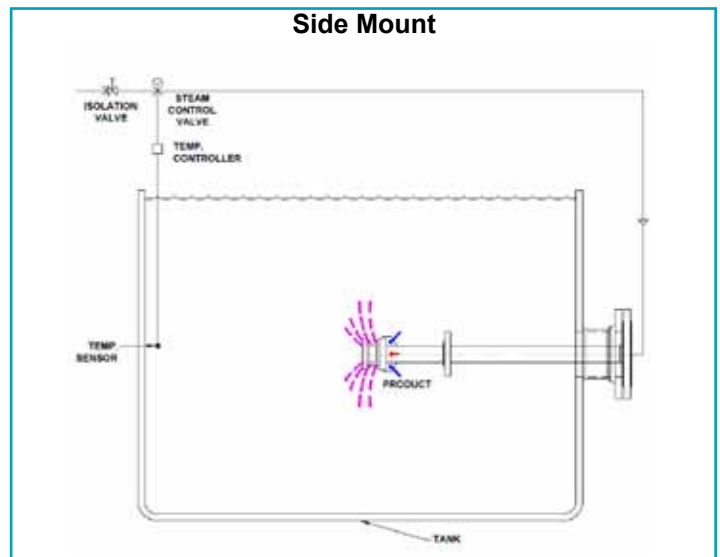
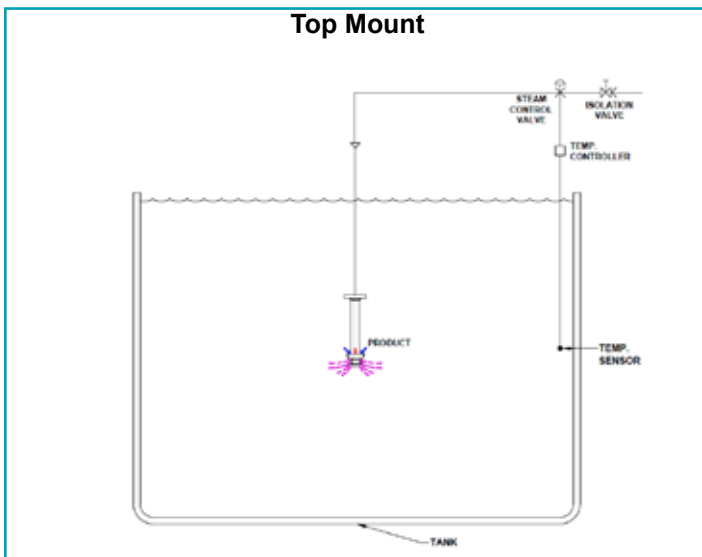
### Tank Heater Applications

- Pre-Heat Boiler Feed Water To DA
- Water & Water-Compatible Fluids
- Caustic Heating
- Batch Tank Fill
- Water Clarifier
- HRSG Condenser (Boiler Tube) Pre-Heating
- Process Liquids Heating
- Condensated Heating
- Reactor Pre-Heating
- Vaporizers

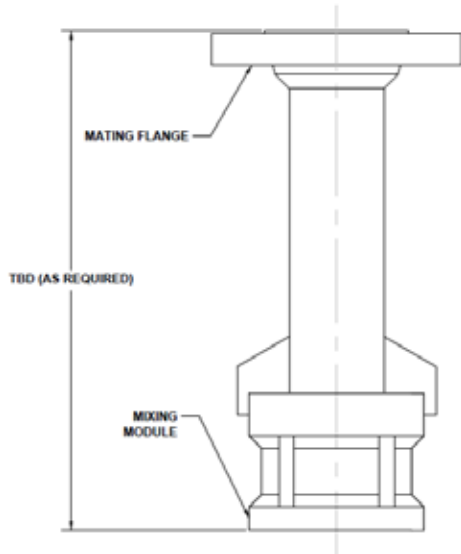
### Features & Benefits

- High heating efficiency - up to 100%
- Turn-down ratio up to 10:1
- Maintenance free
- Compact design
- Quiet operation

### Typical Installation



## “THS” Series Tank Heaters (Top-Mounted)



SIZES AVAILABLE
1" x 2"
1½" x 2½"
2" x 3"
2½" x 4"
3" x 5"
4" x 6"
5" x 8"
Larger sizes available upon request.

**HOUSING - PIPE:**

Standard Wall - Type 316/316L SS

**END CONNECTION - FLANGES (ANSI B16.5, CLASS 150)**

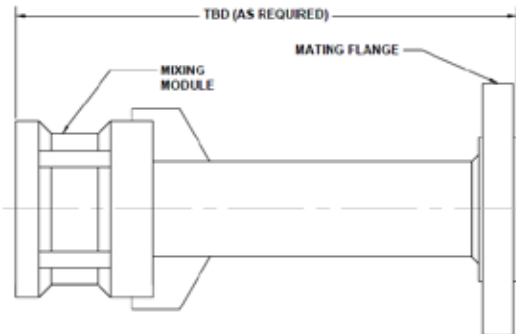
STAINLESS STEEL - Raised Face

**MIXING MODULES:**

STAINLESS STEEL - Type 316/316L

**NOTE:** Other materials available.

## “THS” Series Tank Heaters (Side-Mounted)



**HOUSING - PIPE:**

Standard Wall - Type 316/316L SS

**END CONNECTION - FLANGES (ANSI B16.5, CLASS 150)**

STAINLESS STEEL - Double-Sided Raised Face

**MIXING MODULES:**

STAINLESS STEEL - Type 316/316L

**NOTE:** Other materials available.

SIZES AVAILABLE
1" x 2"
1½" x 2½"
2" x 3"
2½" x 4"
3" x 5"
4" x 6"
5" x 8"
Larger sizes available upon request.

Note: MXR is not affiliated with Komax.

contact:

**MXR Technologies, LLC**  
 40515 Green Oaks Dr. Temecula, CA 92592 USA  
 www.mxrtech.com  
 E-mail: info@mxrtech.com  
 Ph.: 1-951-303-4600 or 949-412-6525