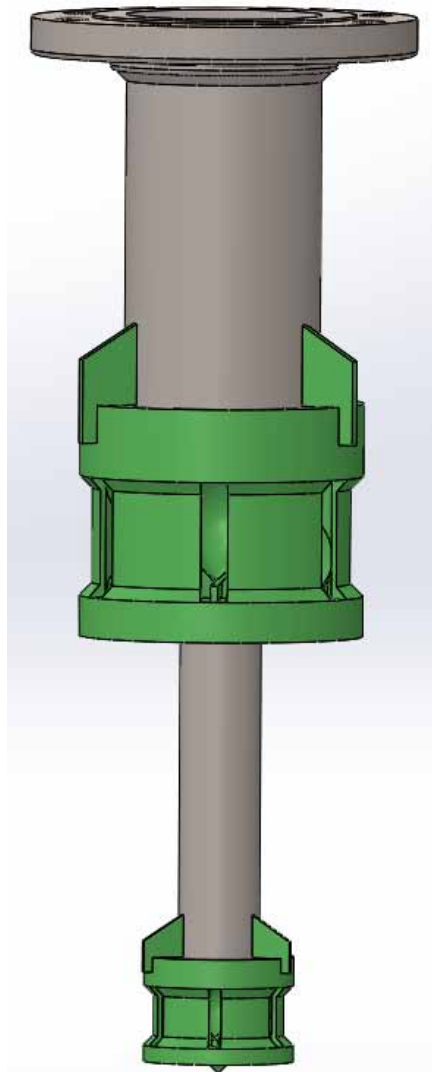


## CONSTRUCTION

Standard Type 316 Stainless Steel is available in 2 1/2” through 5” pipe sizes with Class 150 lb RFSO flanged connection. Also available with threaded pipe configurations for the steam connection from one inch through three inch pipe sizes.

## THEORY OF OPERATION

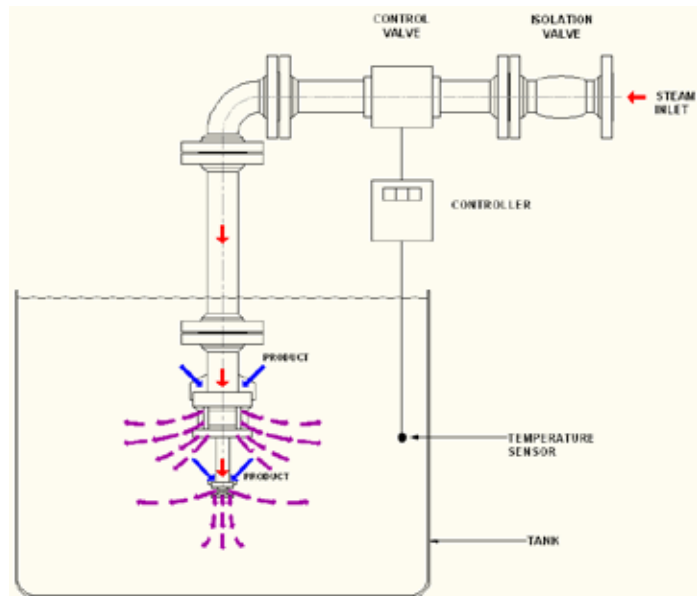
Each unit uses two custom-designed MXR Mixing Modules in tandem. The product in the tank enters the Mixing Modules around the periphery of the steam inlet pipes and is captured by the steam momentum. Product and Steam are divided and pre-mixed by the mixing element in each of the 6 mixing cavities. A set of multiple impingement mixing zones is developed on the side opening slots and at the Mixing Module exits which completes the contacting of steam and product shock-free or vibration-free. This device is designed for the direct injection of steam into tanks for heating water compatible products in a quiet, vibration free, and 100% mixing efficiency. In addition they develop a strong stirring action to help keep any solids or particulates in suspension. This mixing action also helps to produce a uniform liquid temperature throughout the tank volume allowing accurate temperature control.



The MXR “THD” Tank Heater

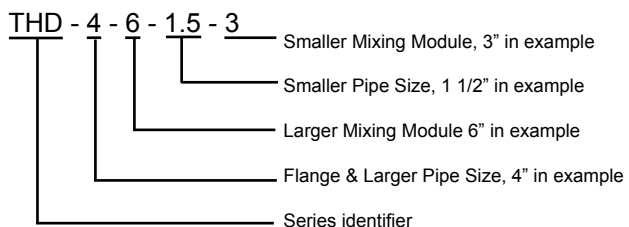
## Typical Installation

Units can be mounted top mount (as shown), side mount or can be mounted on the bottom of the tank.



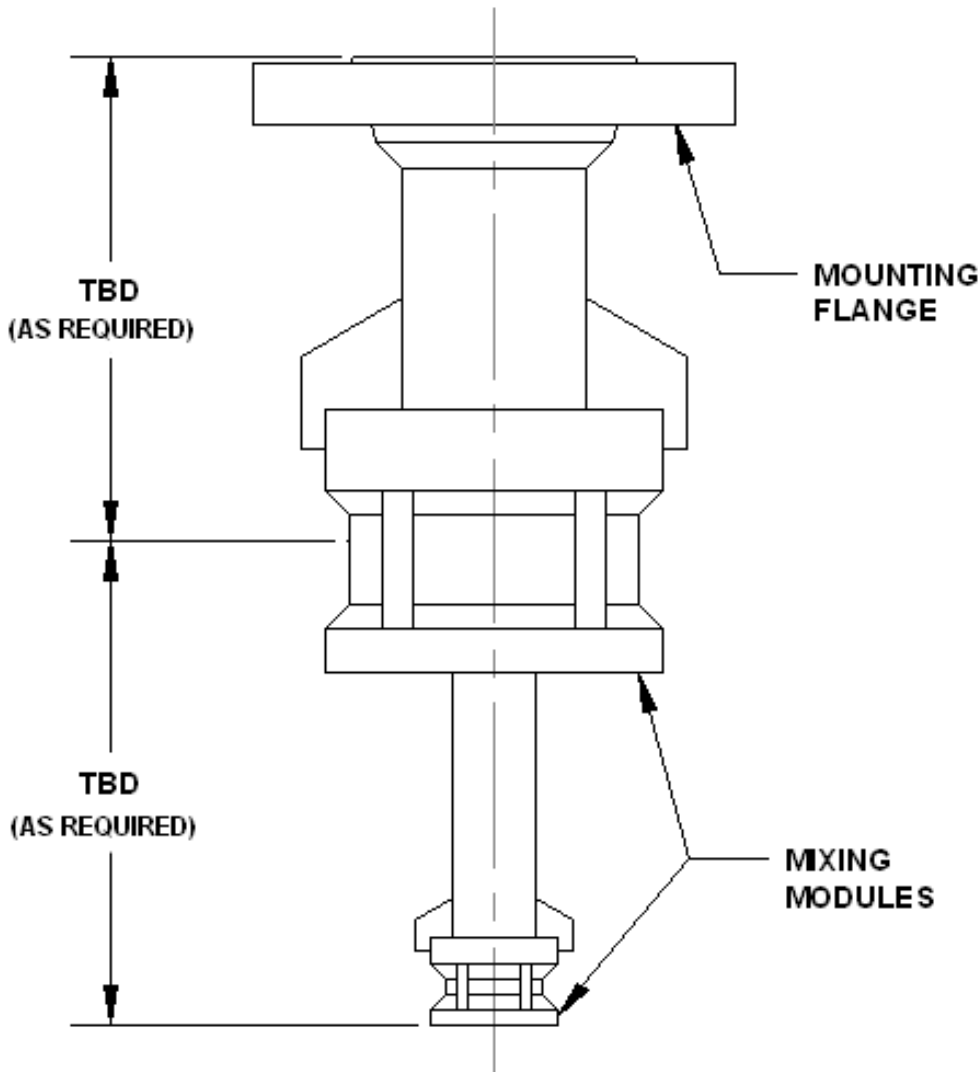
## Model Numbering Designation

Standard units in type 316 stainless steel are numbered as follows.



Special part numbers for non standard units are issued by the company.

## “THD” Series Tank Heaters



SIZE	MODEL NO.
2 1/2" x 1"	THD - 2.5 - 4.5 - 1 - 2
3" x 1"	THD - 3 - 5 - 1 - 2.5
4" x 1 1/2"	THD - 4 - 6 - 1.5 - 3
5" x 2"	THD - 5 - 8 - 2 - 4

Contact:

**MXR Technologies, LLC**

40515 Green Oaks Dr. Temecula, CA 92592 USA

www.mxrtech.com

E-mail: info@mxrtech.com

Ph.: 1-951-303-4600 or 949-412-6525