

# SenSmart 4000 Series

"The Art of Gas Detection"



Non-metallic Poly "PY" Div 2 model

The **SenSmart 4000** 2-Wire 4-20mA Loop Powered Gas Detector accepts electrochemical gas sensors for oxygen and toxic gas detection. **SenSmart 4000**s utilize our popular "GEN 2 smart sensor" proprietary technology to provide sensor recognition and temperature compensation within the **SenSmart 4000**. Each GEN 2 smart sensor has non-volatile memory to store, unique records of serial number, born-on date, initial calibration values, engineering units and temperature compensation algorithm.



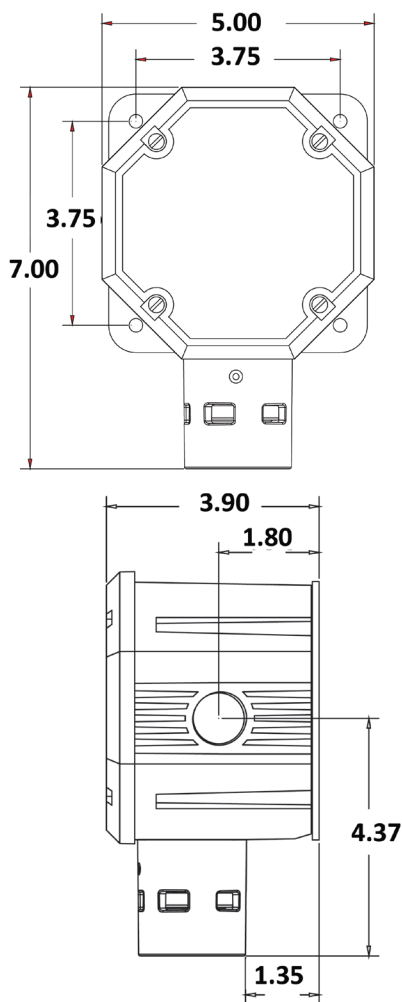
Aluminum "AL" XP model

## FEATURES HIGHLIGHT

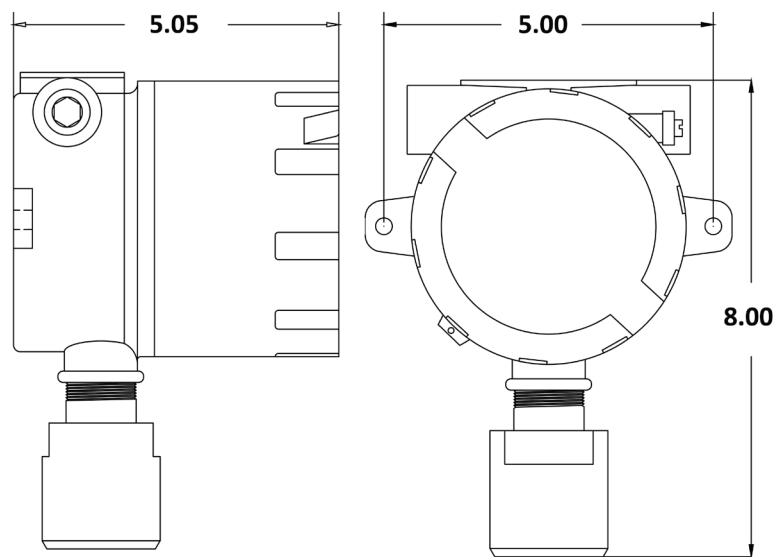
- Certification for Explosion Proof Class 1 Division 1 and Non Incendive Class 1 Division 2 Safe Installations
- Graphic display shows values, units, trend, bar graph, alarm levels
- Non-polarized 4-20mA loop powered interface eliminates wiring errors
- Two flashing Alarm LEDs with Programmable Alarm Levels
- Real time clock/ calendar flags alarm and calibration events
- Non-Intrusive, magnetic interface calibration sequence prompts the user through zero and span calibration. Span value is user programmable.
- Power-up and post-calibration delays eliminate false alarms
- Security settings to lock critical parameters
- Auto-recognition of Smart Sensors uploads calibration data and more
- Fault supervision circuitry detects failed sensor and transmits warning
- Setup in hazardous area requires only simple magnetic wand
- Sensor Life indication
- Available in non-metallic, cast aluminum or 316 stainless steel enclosures.

<b>Power Supply</b>	10-30VDC at less than 0.75 watts
<b>Display</b>	128 x 64 pixel LCD with 30-minute trend, bar graph and engineering units display
<b>Accuracy</b>	+/- 5% of full scale range (typical)
<b>Standard Output</b>	Standard 2-wire 4-20mA current sink . Max loop Resistance is 600 ohms with nominal 24VDC power supply
<b>Temp</b>	Electronics -40°C to +60°C. See Electrochemical Sensor Manual for additional information
<b>Housing</b>	Aluminum with epoxy paint standard; Optional #316 stainless steel, Optional UI94 Poly Black Plastic Enclosure
<b>Dimensions</b>	(Aluminum)/(Stainless Steel) Width 5.4" (137 mm), Height 8" (203 mm), Depth 5" (127 mm) Shipping weight 6.5 pounds (3 kg) (Stainless Steel) Width 5.4" (137 mm), Height 8" (203 mm), Depth 5" (127 mm) Shipping weight 9.5 pounds (4kg) (Poly) Width 5" (127 mm), Height 7" (178 mm), Depth 4" (101 mm) Shipping weight 3 pounds (2 kg)
<b>Approval</b>	CSA Certification for: Class I, Div1, Group A, B, C, D, Class I, Zone 1, Group IIC, T4 Class I, Div 2 Groups A, B, C, D, Class I, Zone 2, Group IIC, T4,
<b>Warranty</b>	5 year limited warranty For sensor warranty see sensor specifications sheet.

**Poly Housing**



**Single Sensor Aluminum/Stainless Steel Housing**



ALL DIMENSIONS IN INCHES