



INDUSTRIEMESSGERÄTE GMBH

Bad Wildbad Germany

Manufacturing of scientific instruments

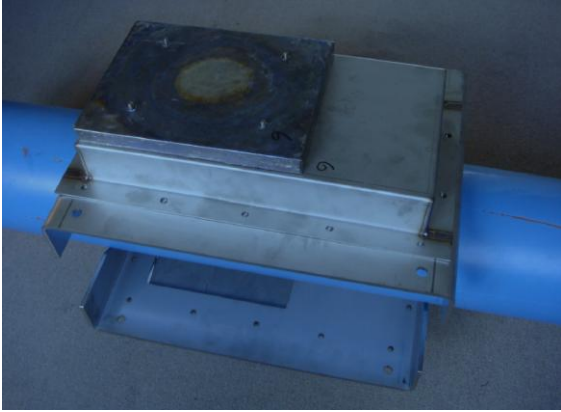
NUCLEAR INSTRUMENTATION

Real Good Idea

K40 Analyzer Pipe Installation



Measuring Arrangement Clampon Probe /Pipe min OD 6"



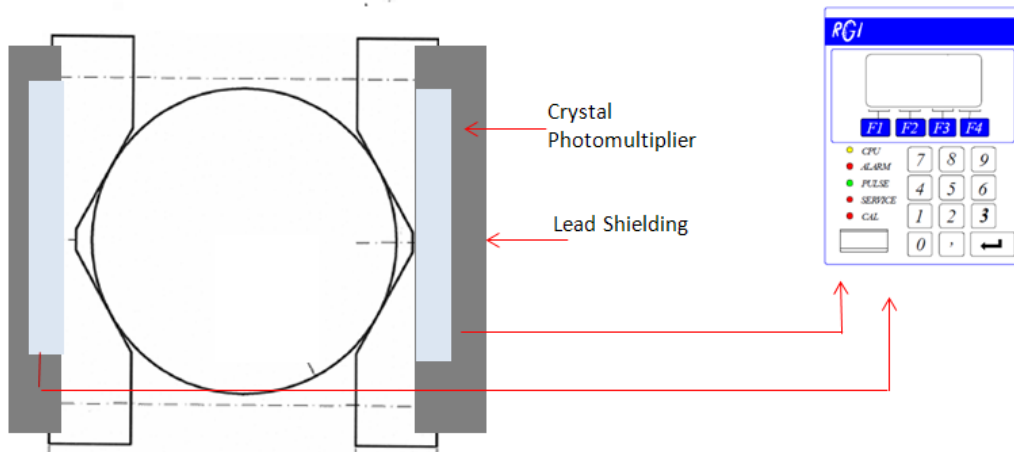
It's consisting of scintillation detector. Pipe Probes
2 detectors are mounted a the pipe

TheK40 beam of gamma radiation i transmitted from the potash to the detectors

Surface measurement method

1. Detector Plastic crystal
2. Lead shielding included

Measurement and Technology



1. 2x Detector and shielding
2. Transmitter POCON 21 for input 2 Detectors

The non-contacting RGI K40 Gauge provides highly precise online measurement of K40with pipes min 6"OD
Ultra-sensitive detectors design enables highly accurate measurements

Control unit Pocon 21



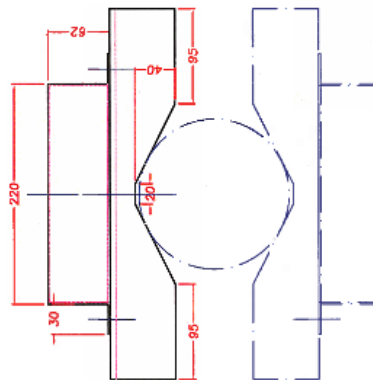
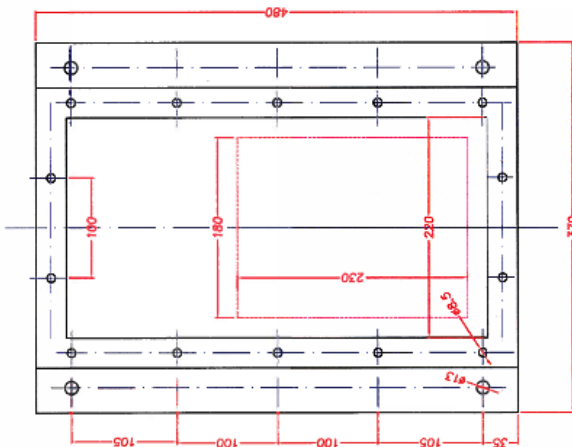
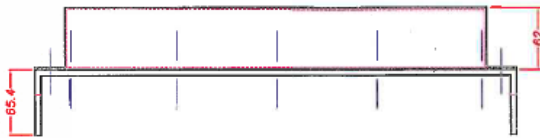
Control unit Decon 21 is a compact design with installation in a wall mount housing and Illuminated 4 line LCD Display; User guidance via soft key ; Membrane keys for easy operation; continuous monitoring of the measuring process; Storage calibration and parameters in Flash memory.

Control unit DECON 21

1. Wall mount housing IP665
2. Menu driven
3. 4/20 mA output isolated
4. Power 24DV C or 90-230VAC
5. Weight appror:2 kg

Scintillation detector PDP500R

Two scintillation counter with NAI crystal are used as a detector Ultra-sensitive stal PDP500R Output counts rate/seconds
A lead collimator provide a shield against fluctuations in ambient radiation which could influence the measurement



Wiring

