

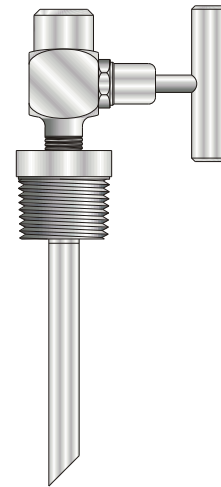
WELKER®

Engineering Company

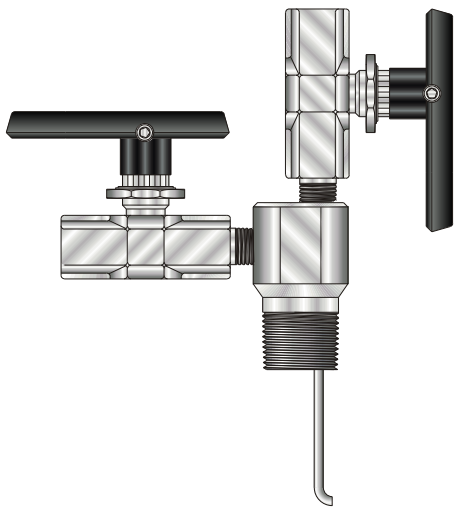


SP-2 Standard Probe

- Permanently fixed probe (specify length desired)
- 316 stainless steel construction
- 1/2", 3/4", or 1" NPT pipeline connection standard, other sizes available
- Complete with large port outlet valve
- Available without outlet valve (model SP-1)
- 1/4" NPT outlet standard, other sizes available



PP-2 Pitot Probe



- Outlet and return ports provided for hot loop operation
- Permanently fixed probe (specify length desired)
- 316 stainless steel construction
- 1" NPT pipeline connection standard, other sizes available
- Complete with full open outlet and return valves
- Available without valves (model PP-1)
- 1/4" NPT outlet and return standard, other sizes available