

inFlow™ ACE Isokinetic Crude Oil Sampler



The Welker® inFlow™ ACE Isokinetic Crude Oil Sampler takes representative samples from the pipeline in accordance with industry standards API 8.2 and ISO 3171.

Features

- .5 – 10 cc sample collection head capacity
- Integrated end-to-end purge design
- Optional externally adjustable sample volume
- Check valves designed to capture complete makeup of product
- 24" and 36" adjustable insertion lengths
- 316/316L stainless steel material for wetted parts
- Coated protection on shafts and sealing surfaces
- Specialized seal protection extends equipment life cycle
- Reassuring Emergency Shutoff packing gland
- Optional insertion tool

Benefits

- High-speed sampling for short batches
- Integrated end-to-end purge design prevents sample batch cross-contamination and allows multi-position mounting capability
- Optional external top adjustment allows sample volume to be set without removing the sampler from the pipeline
- Adjustable insertion length feature gives sampler versatility to fit multiple pipeline sizes
- Built with durable construction material for equipment longevity
- Insertion tool available for even more functional convenience



SPECIFICATIONS

INFLOW™ ACE ISOKINETIC CRUDE OIL SAMPLER

inFlow™ ACE

Materials of Construction

316/316L Stainless Steel Wetted Parts
Aluminum Non-Wetted Parts, Motor Housing, Packing Gland Body
Carbon Steel Lubricator Body

Pipeline Connection and Operating Pressure Options

2" – 150 ANSI RF: 285 psig MAOP @ -20 °F to 100 °F
2" – 300 ANSI RF: 740 psig MAOP @ -20 °F to 100 °F
2" – 600 ANSI RF: 1480 psig MAOP @ -20 °F to 100 °F

Insertion Length Options

24" Manual Insertion With Insertion Tool
36" Manual Insertion With Insertion Tool
24" Manual Insertion, No Insertion Tool
36" Manual Insertion, No Insertion Tool

Sample Volume

0.5–10 cc

Sample Grab Rate

Up to 12 Grabs Per Minute

Industry Standards

API 8.2 and ISO 3171

STANDARD OPTIONS

INFLOW™ ACE ISOKINETIC CRUDE OIL SAMPLER

PIPELINE CONNECTION	INSERTION LENGTH	EXTERNAL ADJUSTMENT	SEALS	COLLECTION HEAD	MATERIALS OF CONSTRUCTION	PAINTING & COATING	MOTOR HOUSING
LSM10			K	D	A	0	0
1,2, or 3	2,4,6, or 8	0 or D	Kalrez® Wetted, Viton® Non- Wetted	D-Head, 0.5–10 cc	Aluminum, 316/316L Stainless Steel, and Carbon Steel Parts	Welker® Blue Paint on All Carbon Steel Parts	¾" FNPT

0000

PIPELINE CONNECTION

- 1: 2" – 150 ANSI RF
- 2: 2" – 300 ANSI RF
- 3: 2" – 600 ANSI RF

INSERTION LENGTH

- 2: 24" Manual Insertion With Insertion Tool
- 4: 36" Manual Insertion With Insertion Tool
- 6: 24" Manual Insertion, No Insertion Tool
- 8: 36" Manual Insertion, No Insertion Tool

EXTERNAL ADJUSTMENT

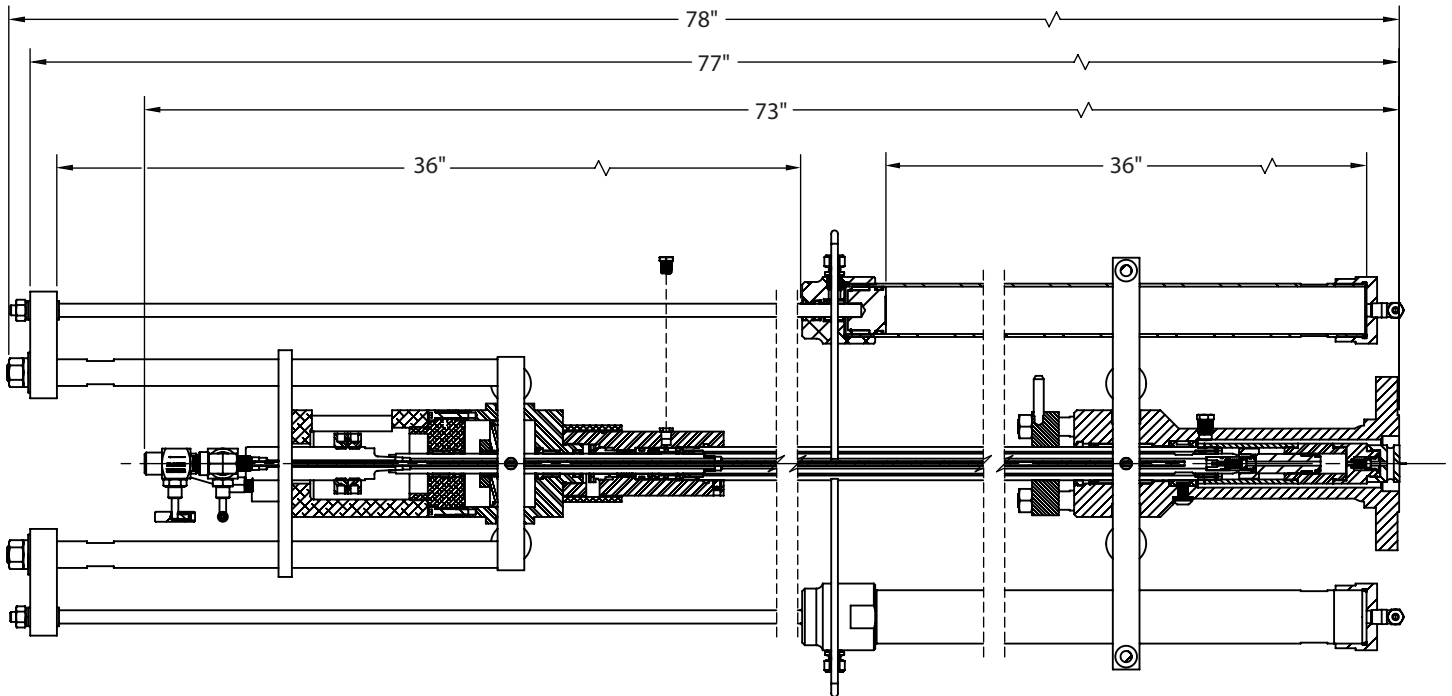
- 0: Not Included
- D: External Sample Volume Top Adjustment

For custom options, choose **Plus Welker™**.



Customer Inspired. Welker Manufactured.
Collaborate with us to create a custom product unique to your application.

DIMENSIONS



inFlow™ ACE With Optional Insertion Tool

Weight and/or dimensions are approximate.
Specifications subject to change without notice.

