



Model 302GCX

SelecTone® Hazardous Location Amplified Speaker

Federal Signal's Model 302GCX SelecTone® Amplified Speaker is designed to produce tones, digital voice messages and live public address in harsh environments with high ambient noise levels.

The rugged speaker cone and projector are constructed of spun aluminum. The amplification circuitry, tone module, and gain control are contained in a housing constructed of die-cast aluminum. All surfaces are sealed with powder-coat paint. Dust- and moisture-proof gaskets provide protection from the elements.

SelecTone Amplified Speakers are used individually or as part of a plant-wide emergency notification system. The Model UTM Universal Tone Module, with 32 tones, or the TM33 Custom Tone Module is plugged into a single SelecTone Amplified Speaker for stand-alone use or into a SelecTone Command Unit for plant-wide signaling.

For plant-wide signaling, a Connector Kit is installed into each SelecTone Amplified Speaker and wired to a central controller, SelecTone Command Unit or CommCenter® Digital Message Center. Command Units and CommCenters broadcast tones, voice messages, melodies and live public address to an unlimited number of SelecTone Amplified Speakers.

Applications for SelecTone include emergency warning, evacuation, start/dismissal, public address, and process control signaling.

FEATURES

- Available in 24VAC/DC, 120VAC and 240VAC
- Reliable, solid-state circuitry
- Digital signal amplification
- Fused input and output
- Built-in gain control, adjustable between 0 dBa to 114 dBa @ 10' (0 dBa to 124 dBa @ 1m)
- Type 4X enclosure
- External mounting tabs
- Indoor/outdoor use
- UL 1480 and CSFM Approved
- UL and cUL Listed

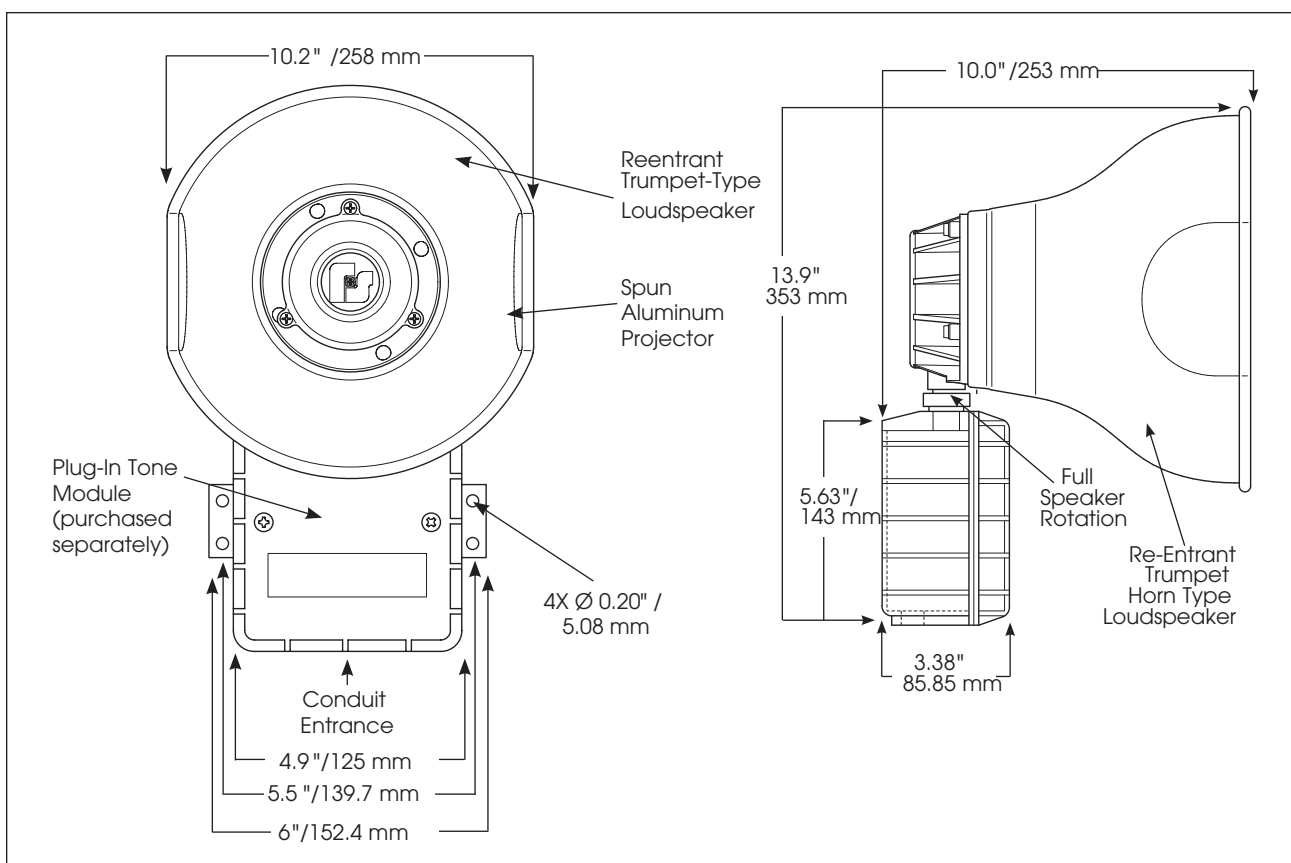
MODEL	VOLTAGE	OPERATING CURRENT	STANDBY CURRENT	DECIBELS	
				10'	1M
302GCX-024	24VDC	1 amp	50 mA	114	124
	24VAC 50/60Hz	1.40 amps	100 mA	114	124
302GCX-120	120VAC 50/60Hz	0.30 amps	50 mA	114	124
302GCX-240	240VAC 50/60Hz	0.15 amps	35 mA	114	124

HAZARDOUS LOCATION RATING: 302GCX

T-CODE AT MAXIMUM AMBIENT TEMPERATURE, °C

Hazardous Location	40°C	66°C
Class I, Division 2, Groups A, B, C, D	T3	T2C
Class II, Division 2, Groups F, G	T6	T6
Class III	T6	T6

Hazardous Location Amplified Speaker (302GCX)



SPECIFICATIONS

Operating Temperature:	-67°F to 150°F	-55°C to 66°C
Rated Power		15 watt
Net Weight:		
24VAC/DC	5.5 lbs	2.5 kg
120/240VAC	5.5 lbs	2.5 kg
Shipping Weight:		
24VAC/DC	6.7 lbs	3.0 kg
120/240VAC	6.7 lbs	3.0 kg
Height:	13.9"	353 mm
Width:	10.2"	258 mm
Depth:	10"	253 mm

REPLACEMENT PARTS

Description	Part Number
Amplifier Assembly, 24VAC/DC	K2005502A-04
Transformer, 120VAC	K120857A
Transformer, 240VAC	K120858A
Voice Coil, Series C	K8593035A
Speaker Assembly	K8593082A

HOW TO ORDER

302GCX - 024

TYPE
302GCX

VOLTAGE
024 (24VAC/DC)
120 (120VAC)
240 (240VAC)

Specify Tone Module:

For stand alone operation

UTM – Universal Tone Module

(Reference page 199 for list of tones)

TM33 – Custom Tone Module

(Reference page 201 for list of tones)

Specify Connector Kit:

(sold separately) for use in systems

Call factory for system design assistance.

(Reference page 202 for Connector Kits)

AM25CK – 25 Vrms, 1 Vrms

AM70CK – 70 Vrms, 1 Vrms

300CK – 10 Vrms, 1 Vrms

T-300CK – 2.7 Vrms, 1 Vrms

E-300CK – 1 Vrms, 1 Vrms