



(Shown with pendant mount. See how to order for mounting options)

# Explosion-Proof LED Warning Light with XLT™

## Model 27XL

### DESIGNED FOR USE IN EXPLOSION-PROOF ATMOSPHERES

- Approved for mounting in any manner-including dome up
- XLT™ Technology
- Available in 24VAC/DC and 120-240VAC
- Available in flashing or steady-burn mode
- Six lens colors
- 60,000 hour LED
- 3/4" NPT pendant, ceiling and wall mount options available
- PLC Compatible
- Dome guard optional
- UL and cUL Listed
- Type 4X, IP66 enclosure
- Marine Rated

Federal Signal's Model 27XL explosion-proof LED light with XLT™ produces 60 high-intensity flashes per minute and is unique to the market because it covers an entire range of possible mounting configurations – including dome up. This warning light operates on 24VAC/DC, 120VAC, and 240VAC 50/60Hz and is UL Listed for Class I, Division 1, Groups C and D; Class II, Division 1, Groups E, F and G; Class I, Division 2, Groups A, B; and Class III. The 27XL is UL and cUL listed, and Marine Rated.

eXtreme Light Technology (XLT) is a break through high-intensity LED array designed to meet the demands of industrial customers, producing maximum light output and superior lens fill. Configurable to either steady burning state or flashing mode, XLT provides improved performance over standard LEDs and increased versatility while maintaining low power consumption and vibration resistance expected from LED devices.

The 27XL features a standard low in-rush circuitry design that provides greater compatibility with factory automation control systems and less electrical interference with in-rush sensitive devices.

The 27XL is Type 4X rated and constructed to IP66. Corrosion resistance is achieved with a powder coat finish applied over the copper-free aluminum housing.

Federal Signal's Model 27XL is specifically designed for explosion-proof atmospheres and/or corrosive environments. Because it is easy to install and requires very low maintenance, it is ideal for use in areas such as oil rigs, mines, refineries, and chemical plants.



Model	Voltage	Operating Current	In-rush Current	Flash Rate/Minute
27XL-024_* -MOD <sup>1</sup>	24VAC/DC	400 mA	1.75 amps, 5.0 mS	60
27XL-120-240_* -MOD <sup>1</sup>	120/240VAC	210/130 mA	2.00 amps, 0.25 mS	60

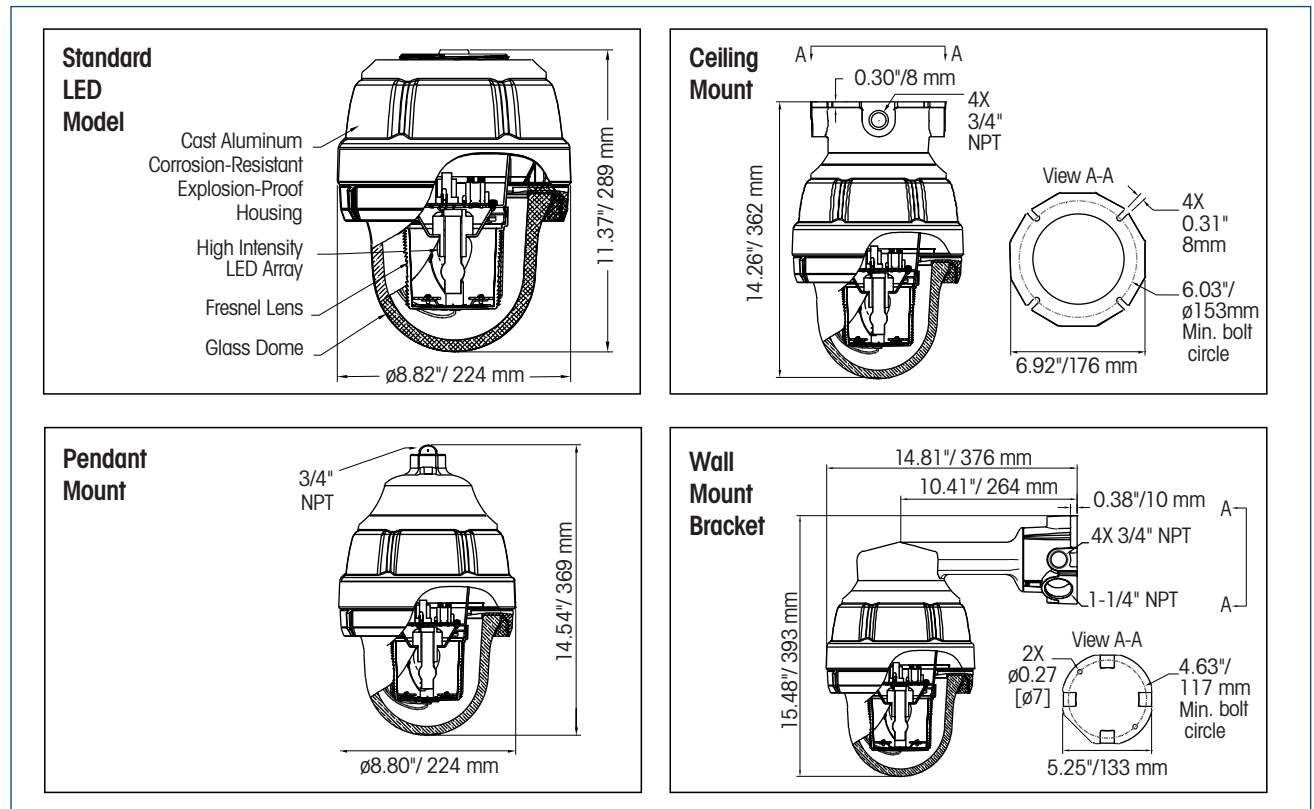
\* Indicates color: (A) Amber, (B) Blue, (C) Clear, (G) Green, (M) Magenta or (R) Red

<sup>1</sup> See "how to order" for mounting options.

### Hazardous Location Rating:

Hazardous Location	T-Code at Maximum Ambient Temperature, °C					
	40°C		55°C		66°C	
	24V	100-265VAC	24V	100-265VAC	24V	100-265VAC
Class I, Div 1, Groups C, D	T6	T6	T6	T6	T6	T6
Class II, Div 2, Groups E, F, G	T6	T6	T6	T6	T6	T6
Class III	T6	T6	T6	T6	T6	T6

## EXPLOSION-PROOF LED LIGHT (27XL)



### SPECIFICATIONS

Lamp Life:	60,000 Hours	60,000 Hours
Light Source:	LED Array	LED Array
Operating Temperature Range:	-67°F to 150°F	-55°C to 65°C
Net Product Weight		
Signal without Mounting:	13.9 lbs.	6.3 kg
Ceiling Mount:	4.5 lbs.	2.0 kg
Pendant Mount:	2.0 lbs.	0.9 kg
Wall Mount:	5.9 lbs.	2.7 kg

### HOW TO ORDER

Light and Mounting Kit must be ordered together.

- Specify model, voltage and color
  - Specify Mounting Kit
    - Ceiling Mount (CMXC-SB)
    - Pendant Mount (PMXC-SB)
    - Wall Mount (WMXC-SB)
- Optional Accessories:
    - Dome Guard (DGXC-SB)

### REPLACEMENT PARTS

<u>Description</u>	<u>Part Number</u>	<u>Description</u>	<u>Part Number</u>
Exterior Dome Assembly, Clear	K8436147A	PC board assembly, 24VDC	K2005455A
Interior Lens Assembly, Amber	K8550292A-02	PC board assembly, 120/240VAC	K2005416A
Interior Lens Assembly, Blue	K8550292A-01	LED array, Amber	K14700030A-A
Interior Lens Assembly, Clear	K8550292A	LED array, Blue	K14700030A-B
Interior Lens Assembly, Green	K8550292A-04	LED array, Clear	K14700030A-W
Interior Lens Assembly, Magenta*	K8550292A-05	LED array, Green	K14700030A-G
Interior Lens Assembly, Red	K8550292A-03	LED array, Red	K14700030A-R

\*Order LED array, Clear with the Magenta Interior Lens Assembly.