

RHM04

Compact Coriolis Flow Sensor With Enhanced Performance

Features

- Standard high pressure versions up to 1067 bar (15475 psi)
- Temperature ratings from -196 to 350°C (-320 to 662°F)
- Mass flow uncertainty down to 0.10%
- Repeatability better than 0.05%
- Typical measuring ranges between 0.1 and 10 kg/min
- Accurately measure low flow rates down to 50 g/min
- Response time 30ms and better
- Unique robust torsion driven oscillation system
- Process connection customization available
- Ultra compact design with minimal footprint
- Approved for use in hazardous areas
- Stainless steel case
- Removable connection manifold version available for easy and efficient maintenance
- Remote and compact transmitter versions available

Applications

Typical applications include:

- General Flow Control
- High Pressure Gas Dispensing
- Additive Dosing
- Mixing and Batching
- Chemical Injection
- Package and Container Filling

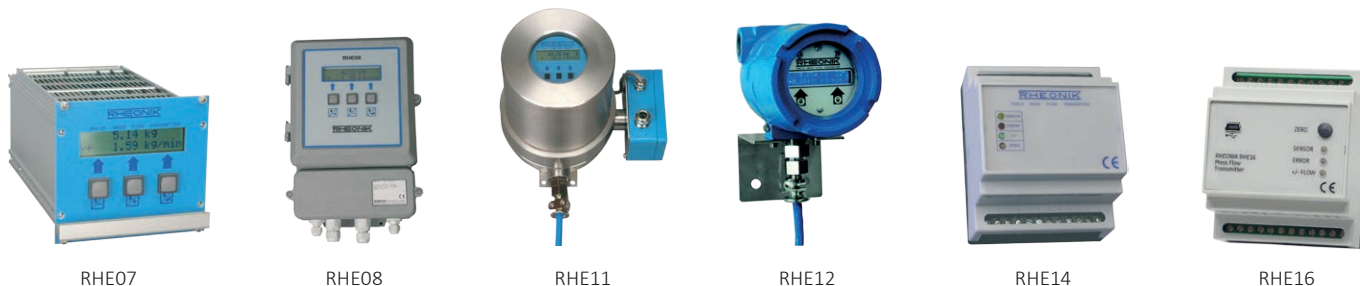
Benefits

- Torsion oscillator design assures a stable and drift free measurement with excellent signal to noise ratios
- Resilient to external noise and vibration
- Insensitive to pipe pressure changes
- Robust tube wall thickness provides increased operational safety in abrasive applications
- Long sensor life guaranteed due to low mechanical stresses in the meter mechanism
- No moving parts, no maintenance
- No moving parts to wear or fail

RHM04 General Specifications

Nominal Max Flow Range:	Parallel/dual path measurement tube versions: 10 kg/min (22 lb/min) Serial/single path measurement tube versions: 5 kg/min (11 lb/min)
Temperature Range:	5 temperature range options cover temperatures from -196°C to 350°C (-320°F to 662°F)
Pressure Ratings:	Dependent upon material
Electrical Connection:	Cable entry M25 x 1.5 (standard) M20 x 1.5, ½" NPT, ¾" NPT (optional) Max cable length to remote RHE transmitter 100m (330 ft)
Sensor Housing Materials:	1.4301 / 304 stainless steel (standard), 1.4571 / 316Ti stainless steel (optional) Epoxy coated aluminium electrical box (standard), 1.4571 / 316Ti stainless steel (optional)
Enclosure Type:	Protection class IP 65. IP 66 / NEMA 4X (optional)
Material of Wetted Parts:	Sensors are available in a variety of standard and custom materials to suit a wide range of pressure ratings and chemical compatibility requirements. See the pressure ratings listing in this document for further details
Finishes:	ANSI flange finish: AARH 125 to 250 µin, Ra 3.2 to 6.3 µm
Certifications and Approvals:	ATEX approval Zone 0: Ex II 1 G Ex ia IIC T1-T6 Ga ATEX rating Zone 2: Ex II 3 G Ex nA IIC T1-T6 Gc CSA USA-Canada, Class I, Div. 1, Groups A, B, C, D PED according to 97/23/EC Art.3 (3) Sound Engineering Practice (SEP)
Documentation:	All sensors are supplied with a traceable calibration certificate. Optional documentation items available: - Traceable material certificates - Certificates of origin and conformity - Welding - NACE - Quality - Production and manufacturing procedures Other documentation to client requirements available
Proof Testing:	Hydrotest, dye penetrant, x-ray, PMI
Options:	Enclosure heating housing for high temperature applications Mounting bracket

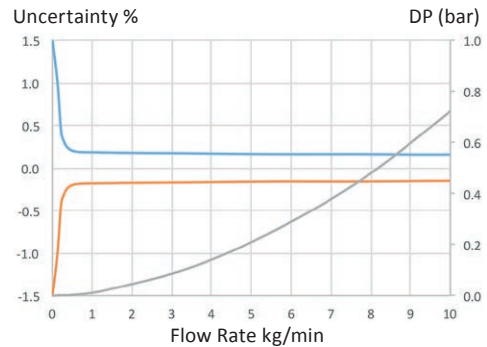
Transmitter Range



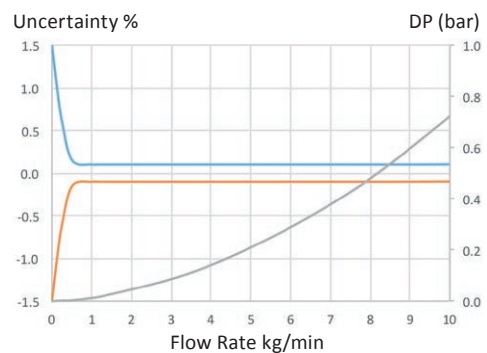
Any Rheonik Mass Flow Transmitter model can be combined with an RHM04 sensor to provide an overall mass flow measurement system to suit any requirement. Rheonik Coriolis transmitters are available in versions specifically designed for process, industrial and OEM applications. Together they offer a tremendous range of options for system designers and end users alike.

RHM04 Measurement Performance

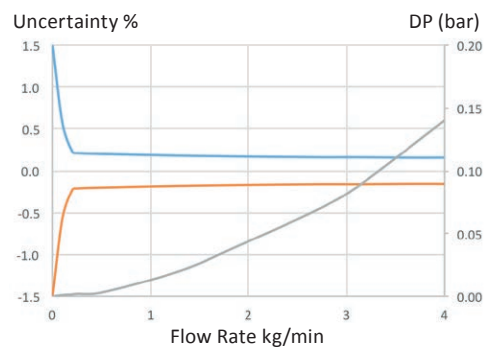
Standard Calibration		
Flow Rate		Uncertainty
kg/min	lb/min	in % of reading
10.0	22.05	0.20
7.0	15.43	0.20
4.0	8.82	0.20
0.5	1.10	0.20
0.2	0.44	0.50



Goldline Calibration*		
Flow Rate		Uncertainty
kg/min	lb/min	in % of reading
10.0	22.05	0.10
7.0	15.43	0.10
4.0	8.82	0.10
1.0	2.20	0.10
0.5	1.10	0.12



Low Flow Calibration*		
Flow Rate		Uncertainty
kg/min	lb/min	in % of reading
4.0	8.82	0.20
2.0	4.41	0.20
1.0	2.20	0.20
0.2	0.44	0.20
0.1	0.22	0.60



*Goldline and Low Flow Calibration is not available with all configurations of the RHM04. Please check with factory.

Mass Flow Calibration Options	
A	50:1 Standard Calibration – 0.5% Uncertainty between 10 and 0.2 kg/min
B	20:1 Standard Calibration – 0.2% Uncertainty between 10 and 0.5 kg/min
C	1:20 Calibration – 0.2% Uncertainty between 0.2 and 4 kg/min
G	Goldline – 0.12% Uncertainty between 10 and 0.5 kg/min
P	Goldline – 0.10% Uncertainty between 10 and 1 kg/min
1	Low Flow Calibration – 0.2% Uncertainty between 0.2 and 4 kg/min, 0.6% between 0.1 and 0.2 kg/min

- Uncertainty of reading (incl. zero drift) stated at reference condition of: H₂O, 18-24°C (66-76°F), 1-3 bar (15-45 psi) when installed according to field manual
- Pressure drop indications are based upon H₂O flowing in a meter with MO material, P1 pressure rating and PMO (parallel measuring tubes with manifold block) construction
- Serial path versions offer the same accuracy performance at half the flow (Nominal max. flow range of serial versions = 2.5 kg/min). Pressure drop will be greater
- For customized calibration range and/or uncertainty levels, please consult factory

Flow Measurement Repeatability **Temperature**
 Standard ± 0.1% of rate Better than ± 1°C
 Goldline ± 0.05% of rate

RHM04 Pressure Ratings

The maximum pressure (P_{max}) of a sensor is determined by its lowest rated part. The lowest rated part can be either the measuring tube (P_{max} indicated below), the construction type (P_{max} indicated in the Part Number Code section, last page) or the process connection (for P_{max} see published standards or manufacturer information).

RHM04 Measurement Tube Pressure Ratings

Pressure Code	Material Code	Material	P_{max}				
			bar	psi	@	°C	°F
P1 (std.)	M0 (std.)	1.4539 (904L) UNS N08904	170	2466	@	50	122
			150	2176	@	120	248
			120	1740	@	210	410
			100	1450	@	350	662
P1	M1*	1.4571 (316Ti) UNS S31635	156	2263	@	50	122
P1	M3	2.4602 (Alloy C22) UNS N06022	215	3118	@	50	122
			190	2756	@	120	248
			153	2219	@	210	410
			128	1856	@	350	662
P2	M0 (std.)	1.4539 (904L) UNS N08904	295	4279	@	50	122
			250	3626	@	120	248
			200	2901	@	210	410
			170	2466	@	350	662
PH	HP**	Sandvik HP160	1067	15476	@	20	68
			900	13053	@	50	122
			870	12618	@	120	248

*Only for T3 temperature range.

**Only with construction types PM0, SM0, PH0, PHH.

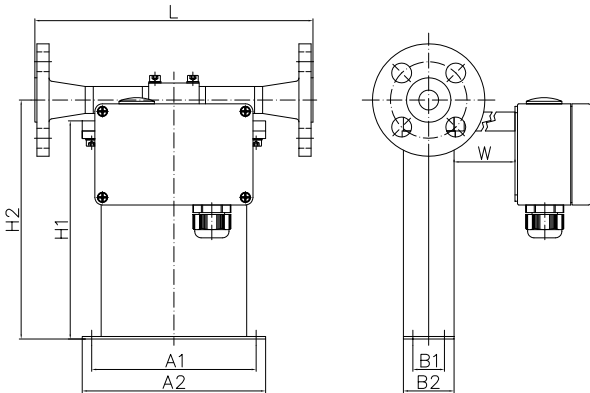
Other Materials

Additional/custom wetted materials (Inconel, Monel, 304 stainless steel, others) may be possible for chemical compatibility, lower pressure drop, abrasion allowance, other application specific requirements.

Contact factory with specification for assessment and availability.

RHM04 Mechanical Construction

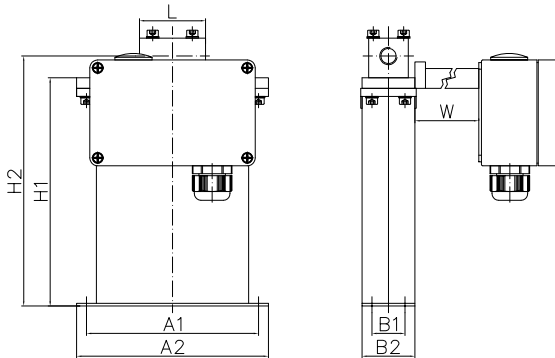
PM0/SM0: Serial or parallel measuring tubes with flange connection and removable manifold with PTFE seals



H2 = 189 mm (7.44 in)

Process Connection	Face to face length (L)		Order Code
	mm	in	
ANSI ½" 150# RF	220	8.66	A1
ANSI ½" 300# RF	220	8.66	A2
ANSI ½" 600# RF	220	8.66	A3
ANSI ½" 1500# RF	300	11.81	A6
ANSI ½" 1500# RTJ	300	11.81	R1
DIN DN15/PN40	220	8.66	D1
DIN DN15/PN100	220	8.66	D2
DIN DN15/PN 160	220	8.66	D3
JIS RF 10k 15A (½")	220	8.66	J1
JIS RF 20k 15A (½")	220	8.66	J2

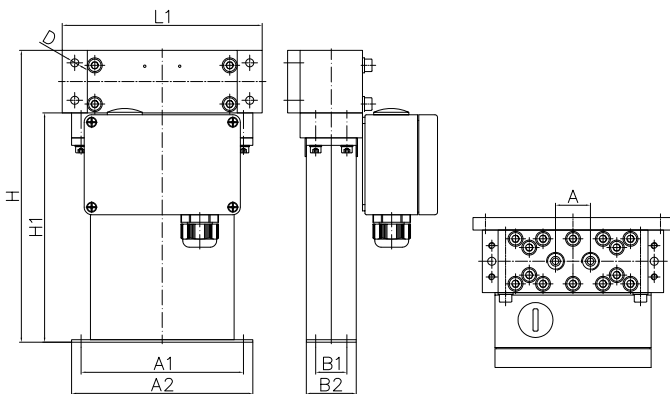
PM0/SM0 / PH0: Serial or parallel measuring tubes with female thread connection and removable manifold with PTFE seals



PM0/SM0 PH0 (high pressure manifold)
H1 = 173 mm (6.79 in) H1 = 184 mm (7.24 in)
H2 = 189 mm (7.44 in) H2 = 204 mm (8.03 in)

Process Connection	Face to face length (L)		Order Code
	mm	in	
PM0/SM0			
Female Thread G ¼"	50	1.97	G1
Female Thread ¼" NPT	50	1.97	N1
PH0			
Female Thread G ¼"	70	2.76	G1
Female Thread ¼" NPT	70	2.76	N1
Autoclave ⅜" MP (⅜"-18 UNF female thread)	70	2.76	P2

PHH: Parallel measuring tubes with MP Autoclave connection and removable very high pressure manifold with PTFE seals



H1 = 184 mm (7.24 in) D = Ø6.5 mm (0.26 in)
A = 28 mm (1.10 in) L1 = 160 mm (6.30 in)

Process Connection	Overall height (H)		Order Code
	mm	in	
Autoclave ⅜" MP (⅜"-18 UNF female thread)	234	9.21	P2

The sensor is manufactured with two internal measurement tubes arranged side by side. In parallel or dual path sensors, these tubes are connected in parallel and the flowing fluid is split equally between them. In serial or single path sensors, the tubes are connected end to end creating a single path through which all fluid flows. For customization of face to face length and/or special fittings other than the ones listed on this page, please consult factory. *Note that larger diameter flange process connections are always possible.*

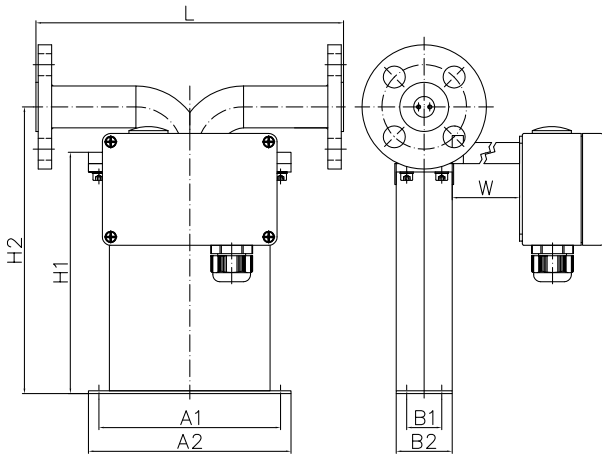
Common Dimensions

A1 = 130 mm (5.12 in) A2 = 145 mm (5.71 in) B1 = 25 mm (0.98 in) B2 = 40 mm (1.57 in)
W: temp. range T1, TA = 0 mm (0 in), temp. range T2 = 100 mm (3.94 in)
Electrical box: std. = 125 x 80 x 58 mm (4.92 x 3.15 x 2.28 in), RHE16 compact = 120 x 120 x 80 mm (4.72 x 4.72 x 3.15 in)

For weights and packaging dimensions please see last page of the General Dimensions section.

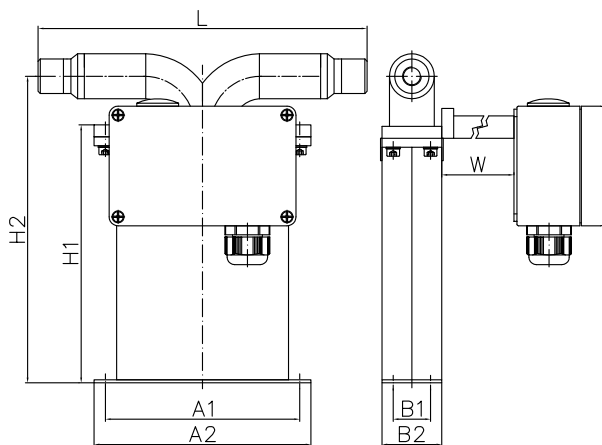
RHM04 Mechanical Construction

PFO: Seal-less parallel measuring tube construction with flange connections

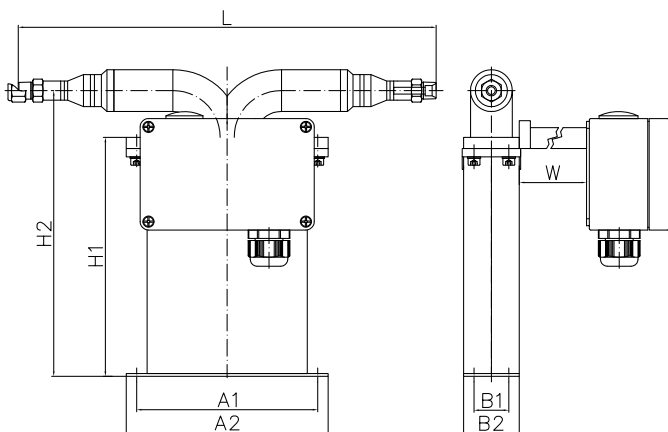


Process Connection	Face to face length (L)		Order Code
	mm	in	
ANSI ½" 150# RF	220	8.66	A1
ANSI ½" 300# RF	220	8.66	A2
ANSI ½" 600# RF	220	8.66	A3
ANSI ½" 1500# RF	300	11.81	A6
ANSI ½" 2500# RF	300	11.81	A8
ANSI ½" 1500# RTJ	300	11.81	R1
DIN DN15/PN40	220	8.66	D1
DIN DN15/PN100	220	8.66	D2
DIN DN15/PN 160	220	8.66	D3
DIN DN25/PN 40	260	10.24	D4
JIS RF 10k 15A (½")	220	8.66	J1
JIS RF 20k 15A (½")	220	8.66	J2
Grayloc 1" GR4 Hub	300	11.81	H3

PFT: Seal-less parallel measuring tube construction with thread and compression fitting connections



Process Connection	Face to face length (L)		Order Code
	mm	in	
Female Thread G ¼"	220	8.66	G1
Female Thread ¼" NPT	220	8.66	N1
Swagelok ¼" tube compression fitting (SS-400-1-4W)	300	11.81	W1



The sensor is manufactured with two internal measurement tubes arranged side by side. In parallel or dual path sensors, these tubes are connected in parallel and the flowing fluid is split equally between them. For customization of face to face length and/or special fittings other than the ones listed on this page, please consult your local agent. *Note that larger diameter flange process connections are always possible.*

Common Dimensions

A1 = 130 mm (5.12 in) A2 = 145 mm (5.71 in) B1 = 25 mm (0.98 in) B2 = 40 mm (1.57 in) H1 = 173 mm (6.79 in) H2 = 205 mm (8.07 in)

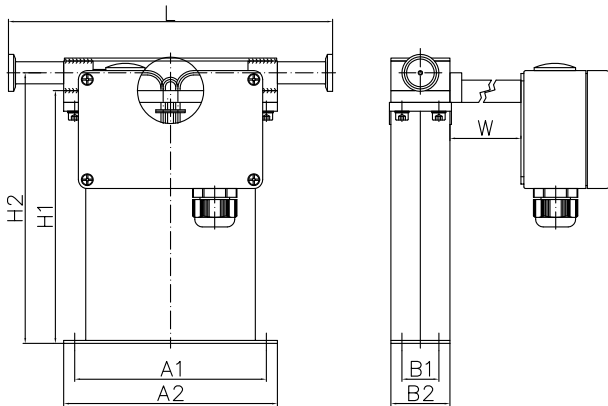
W: temp. range T1, TA = 0 mm (0 in), temp. range T2, T3, T4 = 100 mm (3.94 in)

Electrical box: std. = 125 x 80 x 58 mm (4.92 x 3.15 x 2.28 in), RHE16 compact = 120 x 120 x 80 mm (4.72 x 4.72 x 3.15 in)

For weights and packaging dimensions please see last page of the Mechanical Construction section.

RHM04 Mechanical Construction

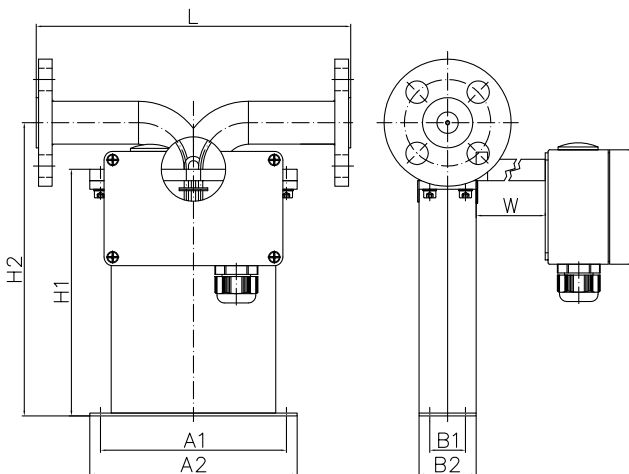
SFO: Seal-less serial measuring tube construction with sanitary connections*



H2 = 184 mm (7.24 in)

Process Connection	Face to face length (L)		Order Code
	mm	in	
Sanitary ½" Triclamp, DIN 32676	220	8.66	S1**
Sanitary NW10, DIN 11851	220	8.66	S2**

SFO: Seal-less serial measuring tube construction with flange connections*



H2 = 205 mm (8.07 in)

Process Connection	Face to face length (L)		Order Code
	mm	in	
ANSI ½" 150# RF	220	8.66	A1
ANSI ½" 300# RF	220	8.66	A2
ANSI ½" 150# RTJ	220	8.66	R3
DIN DN15/PN40	220	8.66	D1

The sensor is manufactured with two internal measurement tubes arranged side by side. In serial or single path sensors, the tubes are connected end to end creating a single path through which all fluid flows. For customization of face to face length and/or special fittings other than the ones listed on this page, please consult your local agent. *Note that larger diameter flange process connections are always possible.*

Common Dimensions

A1 = 130 mm (5.12 in) A2 = 145 mm (5.71 in) B1 = 25 mm (0.98 in) B2 = 40 mm (1.57 in) H1 = 173 mm (6.79 in)

W: temp. range T1, TA = 0 mm (0 in), temp. range T2, T3, T4 = 100 mm (3.94 in)

Electrical box: std. = 125 x 80 x 58 mm (4.92 x 3.15 x 2.28 in), RHE16 compact = 120 x 120 x 80 mm (4.72 x 4.72 x 3.15 in)

*SFO meters contain brazed joints. Brazing material is B-Ni82CrSiBFe-970/1000. Customer should confirm that this material is suitable/acceptable for their process.

** pmax for sanitary fittings is 40 bar (580 psi) @120°C (248°F).

Weights and Shipping Dimensions

Typical weight for standard manifold construction (PM0/SM0) sensor with female threads: approx. 2.5 kg (5.5 lb).

Typical weight for standard seal-less construction (PF0/SFO) sensor with 150# flanges: approx. 3.5 kg (7.7 lb).

RHM04 sensors typically ship in a carton approx. 60 x 41 x 32 cm (24 x 16 x 13 in) complete with transmitter and cable.

Typical gross shipping weight example: RHM04 seal-less construction sensor with 150# flanges c/w RHE08 transmitter approx. 10 kg (22 lb).

RHM04 Part Number Code

Temperature Range

- T1 -20°C to +120°C (-4 to +248°F) (std.)
- TA -45°C to +120°C (-49 to +248°F)
- T2 -45°C to +210°C (-49 to +410°F)
- T3 -196°C to +50°C (-320 to +122°F)
- T4 0°C to +350°C (+32 to +662°F)

P_{max} of Measuring Tubes (see pressure rating page)

- P1 P_{max} depends upon material
- P2 250 bar (3626 psi) @120°C (248°F) (M0 material)
- PH 870 bar (12618 psi) @ 120°C (248°F) (HP material)

Construction Type (**P_{max}** @ 120°C (248°F))

- PM0 Parallel manifold, P_{max} = 400 bar (5800 psi) with thread, 214 bar (3104 psi) with flange
- SM0 Serial manifold, P_{max} = 400 bar (5800 psi) with thread, 214 bar (3104 psi) with flange
- PFO Parallel path, seal-less
- SFO Serial path, seal-less, P_{max} = 42.9 bar (622 psi)
- PFT Parallel path, seal-less for thread connection, P_{max} = 530 bar (7687 psi)
- PH0 Parallel path, HP manifold, P_{max} = 540 bar (7832 psi)
- PHH Parallel path, VHP manifold, P_{max} = 870 bar (12618 psi)

Material of Wetted Parts

- M0 Measuring Tubes 1.4539 (904L), manifold/connection 1.4571 (316Ti) (std.)
- M1 1.4571 (316Ti)
- M3 2.4602 (Alloy C22), seal-less construction types only
- HP HP 160, PM0, SM0, PH0 and PHH construction types only

Process Connection

See mechanical construction pages for available connections and codes

Options Codes

See options listing for specific codes

Terminal Box Selection

- 9 Remote transmitter cable termination box (std.)
- C Enclosure for compact mount RHE16 transmitter

Hazardous Area Certifications

- N Without Ex approval
- A ATEX approval Zone 0: Ex II 1 G Ex ia IIC T1-T6 Ga
- 2 ATEX rating Zone 2: Ex II 3 G Ex nA IIC T1-T6 Gc
- C CSA approvals USA-Canada Class I, Div. 1, Gr. A, B, C, D

Pressure Design Compliance

- NN No specific design compliance required
- SE PED (SEP) [Europe]
- CA CRN (Alberta Province) [Canada]
- CR CRN (All other Provinces) [Canada]

Mass Flow Calibration Selection

See performance page for code options



Options

H1	Hot oil/steam heating for housing, DN15 PN40
H2	Hot oil/steam heating for housing, ½" ANSI 150 RF
H3	Hot oil/steam heating for housing, ½" ANSI 300 RF
HF	Hot oil/steam trace heating for flange
M	Mounting bracket – PM0/SM0 construction types
MF	Mounting bracket – PFO/SFO/PFT construction types

P2	Housing purge for dry gas – ¼" NPT (2 pcs)
SH	Housing in 316Ti stainless steel
WH	Fully welded/sealed housing
DY	Dye penetrant inspection
XR	X-ray test – PFT, PM0 (flange), SM0 (flange) types only
O	Oil/grease free cleaning