

LED



# SemiStat® Status Indicator

Models SCB and SCC

## OEM STATUS INDICATOR

- Available in 24VAC/VDC
- Tri or quad-color models
- Available in chrome or white finish
- 100,000 hour vibration-resistant LED lamps
- Integrated sounder
- Surface mount
- Indoor use only

Federal Signal's SemiStat® Status Indicator is designed to meet the needs of the OEM market, the SemiStat is an attractive, easy-to-install and economical status indicator.

SemiStats operate on 24VAC or 24VDC. The snap fit housing cover and a standard terminal block make the installation and wiring of the SemiStat a quick job.

The attractive and durable ABS housing is available with either a white or chrome finish to complement the machine or location of installation.

SemiStat LED light modules utilize extremely bright light emitting diodes for the greatest attention-getting affect. Tri-Color SemiStat features Red, Amber and Green light modules and Quad Color SemiStat features Red, Amber, Green and Blue light modules. Clear LED light modules are available separately. The sequence of the LED light modules can be easily changed to suit the application – just pop off the housing cover, disconnect the modules and then reconnect in the desired order. Light modules can be set to flashing or steady burning mode.

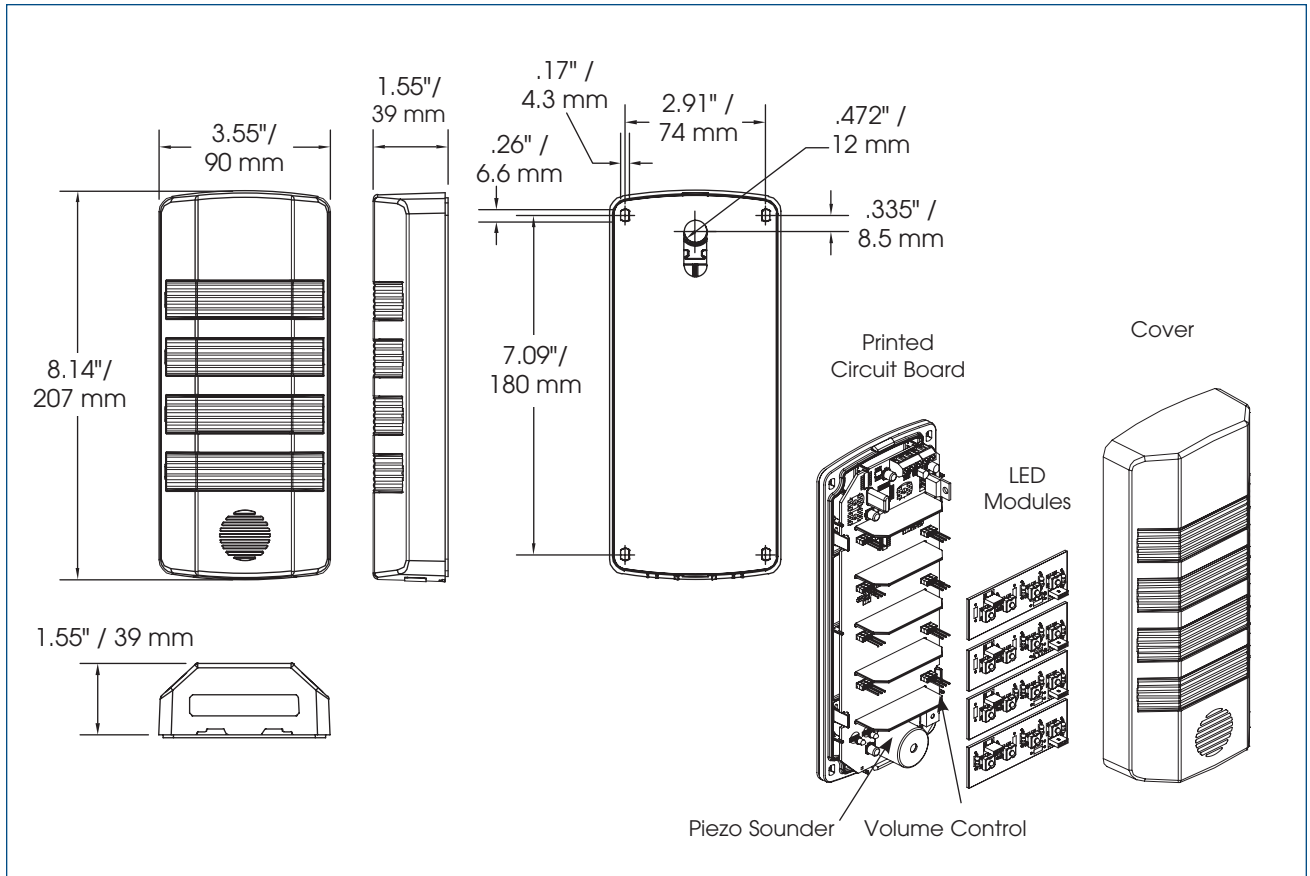
For further utility, each SemiStat is equipped with an integrated piezo sounder. SemiStat sounders produce 60dB at ten feet. A selection of two beep patterns is offered.

Model	Description	Voltage	Operating Current	Decibels @		Mount
				10'	1m	
SCB-024TC	Tri-color, white finish	24VAC/VDC	150 mA*	60	70	Surface
SCB-024QC	Quad-color, white finish	24VAC/VDC	175 mA*	60	70	Surface
SCC-024TC	Tri-color, chrome finish	24VAC/VDC	150 mA*	60	70	Surface
SCC-024QC	Quad-color, chrome finish	24VAC/VDC	175 mA*	60	70	Surface

\* Amp draw measured with all colors and sounder activated simultaneously.



## SEMISTAT® STATUS INDICATOR (SCB/SCC)



### SPECIFICATIONS

Lamp Life:	100,000 Hours	100,000 Hours
Light Source:	LED Lamp	LED Lamp
Operating Temperature:	32°F to 140°F	0°C to 60°C
Net Weight:	0.7 lbs.	0.32 kg
Shipping Weight:	1.0 lbs.	0.45 kg
Height:	8.14"	207.0 mm
Width:	3.55"	90.0 mm
Depth:	1.55"	39.0 mm

### HOW TO ORDER

- Specify finish  
White/Beige (B) or Chrome (C)
- Specify and tri- or quad color
- Please refer to Model Number Index  
SCB/SCC beginning on page 368

### REPLACEMENT PARTS

<u>Description</u>	<u>Part Number</u>	<u>Description</u>	<u>Part Number</u>
PCB Assembly	K2001958A	LED Module, Red	K2001925A
LED Module, Amber	K2001925A-01	LED Module, Green	K2001925A-03
LED Module, Blue	K2001925A-02	LED Module, Clear	K2001925A-04