

Commander® Rotating Warning Lights

Models 371 and 371L



HEAVY DUTY WARNING LIGHTS

- Available in 120VAC
- Five dome colors
- Pivoting lamp yoke
- Surface mount and integrated 1-inch NPT pipe mount
- Type 4X, IP66 enclosure
- UL and cUL Listed and CSA Certified

Federal Signal Models 371/371L incandescent warning lights have a powerful sealed beam lamp that rotates 360° within a glass or polycarbonate dome. Power is delivered to the Commander's rotating lamp by a unique collector ring. The lamp itself is mounted in a pivoting yoke. This allows the lamp beam angle to be adjusted through 90 degrees from horizontal to vertical. Changing the beam angle allows the user to create unique light patterns and/or direct the light for better visibility.

The Model 371 features a 200 watt sealed beam lamp and a high-temperature resistant glass dome. The glass dome of the 371 is ideal for applications such as steel mills or arc furnaces/smelters where high ambient temperatures or red hot materials would melt or damage the dome.

The Model 371L features a 100 watt sealed beam lamp and an impact-resistant polycarbonate dome. The thinner polycarbonate dome allows more light to pass through while protecting the lamp.

Both models of the Commander® are available in five colors (Amber, Blue, Clear, Green and Red). The dome and ring assembly simply screws on, providing access to the interior of the light.

The new 371/371L base features electrostatically applied (e-coated) black epoxy paint for greater corrosion-resistance. Wiring can be routed through the pipe-mount opening in the bottom of the light or the two side knockouts can be used for side entry wiring. Installation can be surface – or 1-inch NPT pipe mount. Optional wall and corner mount brackets are available.

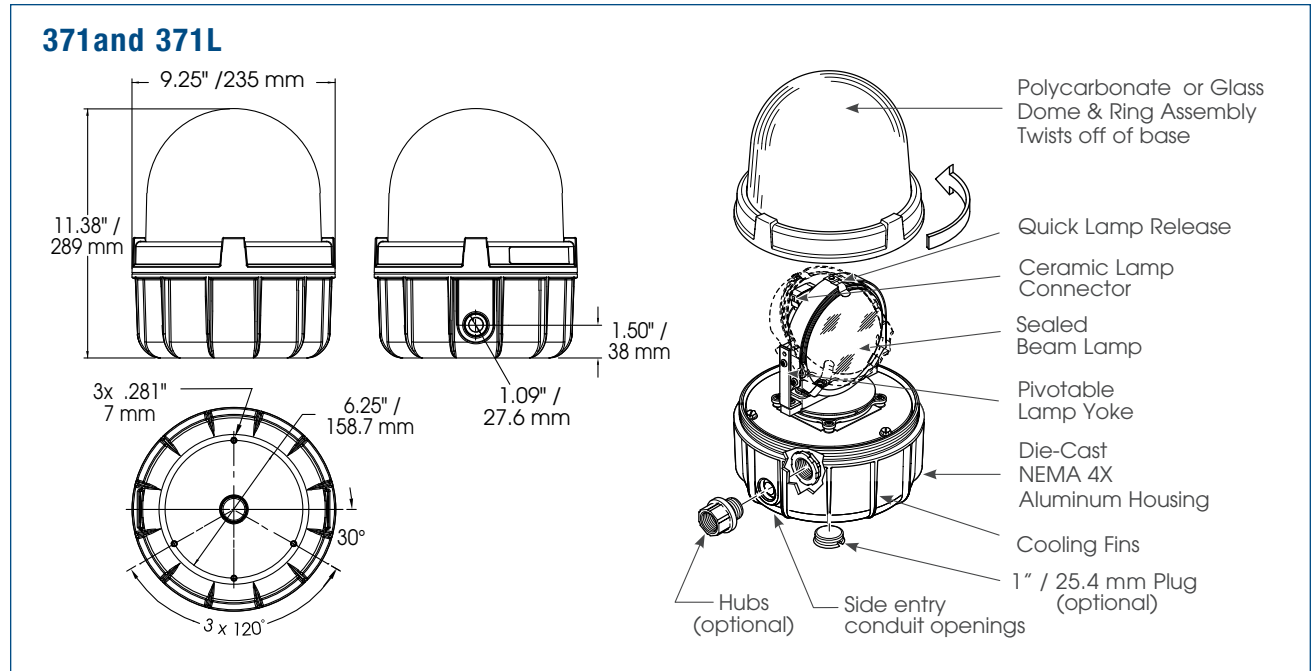
The 371 and 371L are Type 4X, IP66 rated, UL and cUL Listed and CSA Certified.

Model	Voltage	Operating Current	Flash Rate/Minute	Candela	Mount
371-120 *	120VAC 50/60HZ	1.75 amps	60	36,000	1" NPT Pipe/Surface
371L-120 *	120VAC 50/60HZ	0.80 amps	60	20,000	1" NPT Pipe/Surface

* Indicates color: (A) Amber, (B) Blue, (C) Clear, (G) Green or (R) Red



COMMANDER® ROTATING LIGHTS (371/371L)



SPECIFICATIONS

Lamp Life:		2,000 Hours	2,000 Hours
Light Source:	371	200 Watt Sealed Beam	200 Watt Sealed Beam
	371L	100 Watt Sealed Beam	100 Watt Sealed Beam
Operating Temperature:		-31°F to 150°F	-35°C to 66°C
Net Weight:			
	371	13.25 lbs.	6.0 kg
	371L	9.8 lbs.	4.4 kg
Shipping Weight:			
	371	14.25 lbs.	6.5 kg
	371L	10.8 lbs.	4.9 kg
Height:		11.38"	288.9 mm
Diameter:		9.12"	231.8 mm

HOW TO ORDER

- Specify model, voltage and color
 - Optional Accessories:
Corner Bracket (LCMB2)*
Wall Bracket (LWMB2)*
Solid Surface Mounting Bracket (371BRCKT)*
Shock Mount Kit (K8459A076C)
3/4" Hub Kit (K8459138A)
1" Plug Kit (K8459130A)
 - Please refer to Model Number Index 371/371L beginning on page 369
- * Rated for NEMA 3R installations.

REPLACEMENT PARTS

<u>Description (Current Series)</u>	<u>Part Number</u>	<u>Description</u>	<u>Part Number</u>
Series B Dome and Ring Assembly		Lamp (371)	K8442A039
Amber Glass (371)	K8459126A	Lamp (371L)	K8107A130
Blue Glass (371)	K8459126A-01	Motor Replacement Kit (371/371L)	K8459A113B
Clear Glass (371)	K8459126A-03	Worm Gear Assembly (371/371L)	K8459A017
Green Glass (371)	K8459126A-04	Brush and Spring (371/371L)	K8442A028
Red Glass (371)	K8459126A-02	Gasket, Surface Mount	K8459127A
Amber Polycarbonate (371L)	K8459125A		
Blue Polycarbonate (371L)	K8459125A-01		
Clear Polycarbonate (371L)	K8459125A-02		
Green Polycarbonate (371L)	K8459125A-03		
Red Polycarbonate (371L)	K8459125A-04		