

LED



# Explosion-Proof LED Warning Light with XLT™

## Model 27XL

Federal Signal's Model 27XL explosion-proof LED light with XLT™ produces 60 high-intensity flashes per minute. This warning light operates on 24VAC/DC, 120VAC, and 240VAC 50/60Hz and is UL Listed for Class I, Division 1, Groups C & D; Class II, Division 1, Groups E, F & G; Class I, Division 2, Groups A, B; and Class III. The 27XL is also Marine Rated.

eXtreme Light Technology (XLT) is a break through high-intensity LED array designed to meet the demands of industrial customers, producing maximum light output and superior lens fill. Configurable to either steady burning state or flashing mode XLT provides improved performance over standard LED's and increased versatility while maintaining low power consumption and vibration resistances expected from LED signals.

The 27XL features a standard low in-rush circuitry design that provides greater compatibility with factory automation control systems and less electrical interference with in-rush sensitive devices.

The 27XL is Type 4X rated; constructed to IP66. Corrosion resistance is achieved with a powder epoxy finish applied over the copper-free aluminum housing. All exposed hardware is 316 grade stainless steel.

Federal Signal's Model 27XL is specifically designed for explosion-proof atmospheres and/or corrosive environments. Because it is easy to install and requires very low maintenance, it is ideal for use in areas such as oil rigs, mines, refineries, and chemical plants.

## DESIGNED FOR USE IN EXPLOSION-PROOF ATMOSPHERES

- XLT™ Technology
- Available in 24VAC/DC and 120-240VAC
- Available in flashing or steady-burn mode
- Five lens colors
- 60,000 hour LED
- 3/4-inch NPT pendant mount standard; other options available
- Dome guard optional
- UL and cUL Listed
- Type 4X, IP66 enclosure
- Marine Listed



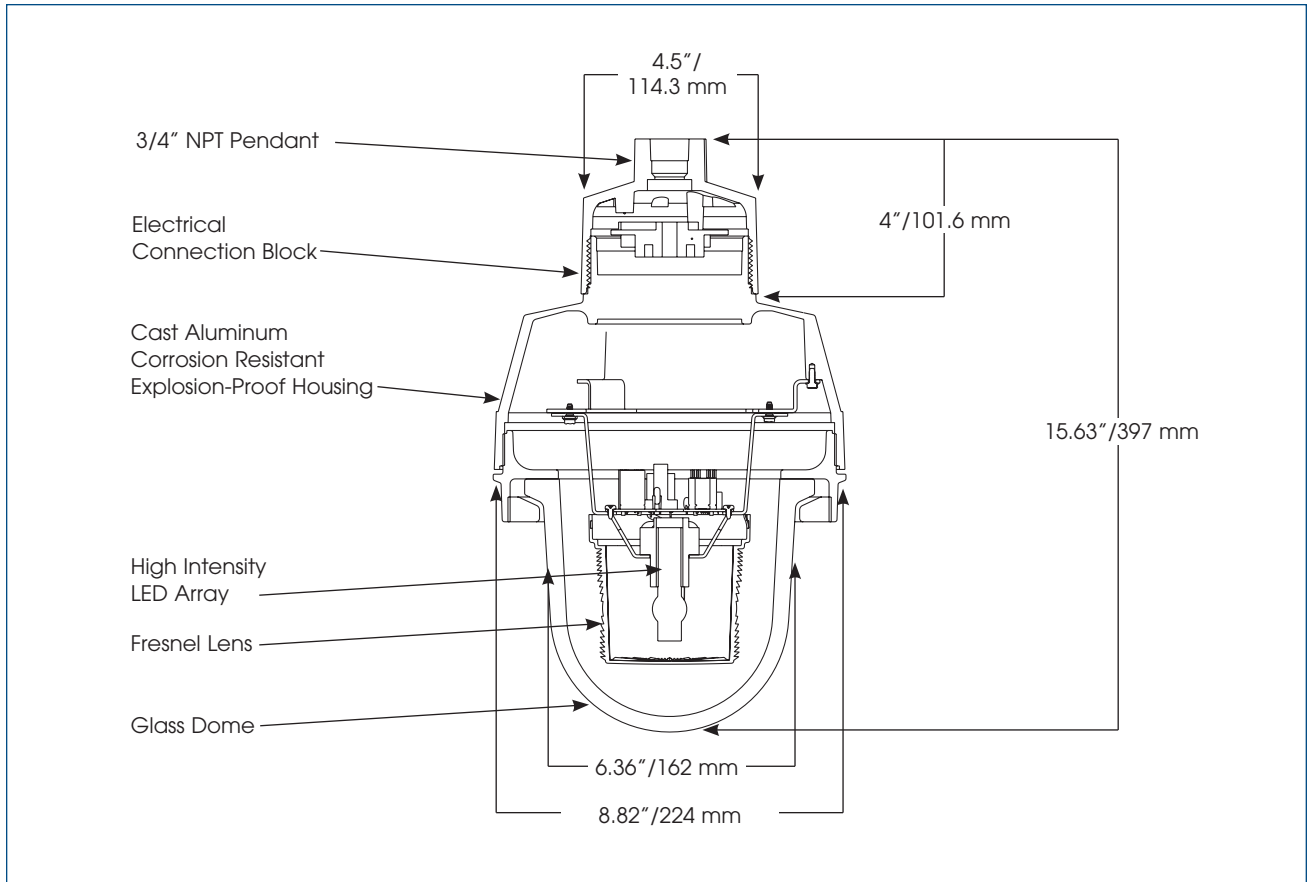
Model	Voltage	Operating Current	In-rush Current	Flash Rate/Minute	Mount
27XL-024 *	24VAC/DC	380mA	1.75 amps, 5.0 mS	60	3/4" NPT Pendant
27XL-120-240 *	120/240VAC	210/130mA	2.00 amps, 0.25 mS	60	3/4" NPT Pendant

\* Indicates color: (A) Amber, (B) Blue, (C) Clear, (G) Green or (R) Red

## Hazardous Location Rating:

Hazardous Location	T-Code at Maximum Ambient Temperature, °C					
	40°C		55°C		66°C	
	24V	100-265VAC	24V	100-265VAC	24V	100-265VAC
Class I, Div 1, Groups C, D	T6	T6	T6	T6	T6	T6
Class I, Div 2, Groups A, B	T6	T6	T6	T5	T5	T4A
Class II, Div 2, Groups E, F, G	T6	T6	T6	T6	T6	T6
Class III	T6	T6	T6	T6	T6	T6

## EXPLOSION-PROOF LED LIGHT (27XL)



### SPECIFICATIONS

Lamp Life:	60,000 Hours	60,000 Hours
Light Source:	LED Array	LED Array
Ambient Operating Temp. Range:	-55°C to 66°C	Canada
	-25° to 65°C	USA
Net Weight:	14.1 lbs.	6.45 kg
Shipping Weight:	18.4 lbs.	8.35 kg
Height:	15.63"	397.0 mm
Diameter:	8.82"	224.0 mm

### HOW TO ORDER

- Specify model, voltage and color
- Optional Accessories:  
Dome Guard (DGXC)  
Ceiling Mount (CMXC)  
Wall Mount (WMXC)
- Please refer to Model Number Index 27XL beginning on page 371

### REPLACEMENT PARTS

<u>Description</u>	<u>Part Number</u>	<u>Description</u>	<u>Part Number</u>
Exterior Dome Assembly, Clear	K8444C271A-01	PC board assembly, 24VDC	K2005455A
Interior Lens Assembly, Amber	K8550292A-02	PC board assembly, 120/240VAC	K2005416A
Interior Lens Assembly, Blue	K8550292A-01	LED array, Amber	K147169A
Interior Lens Assembly, Clear	K8550292A	LED array, Blue	K147169A-01
Interior Lens Assembly, Green	K8550292A-04	LED array, Clear	K147169A-04
Interior Lens Assembly, Red	K8550292A-03	LED array, Green	K147169A-02
		LED array, Red	K147169A-03